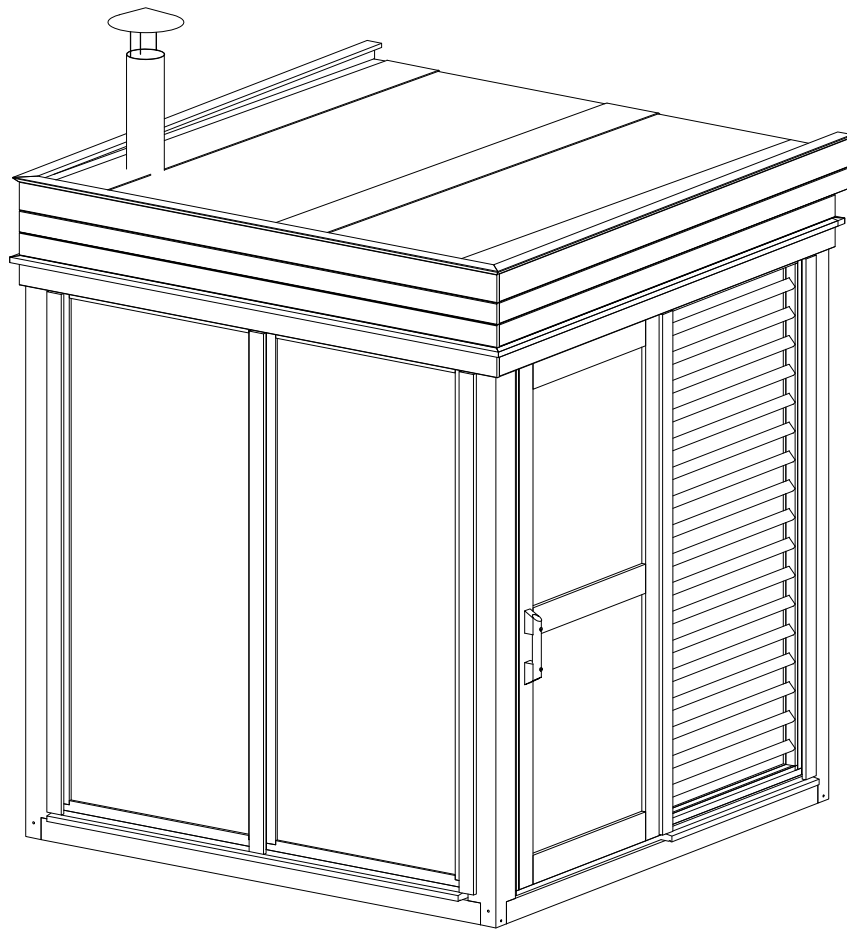
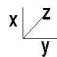

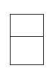

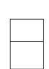

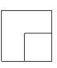

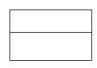

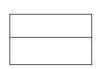
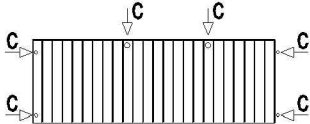
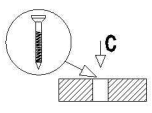
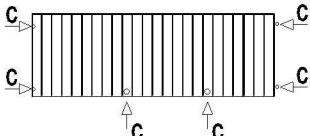
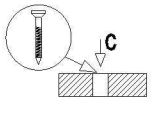
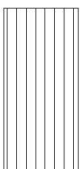






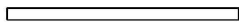






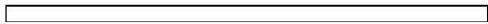

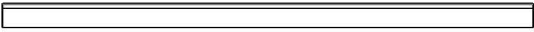

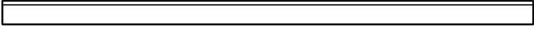

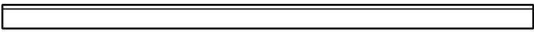

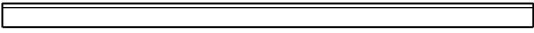

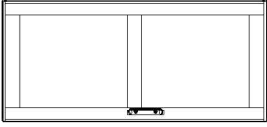

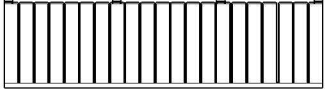
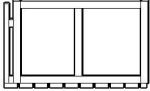
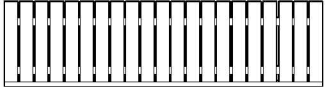
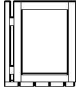
## Sauna Cubo 2 x 2




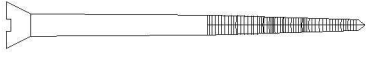
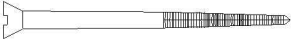
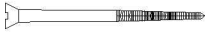

















1. SAUNA CUBE 2 X 2

No.		Detail	Pcs	
L	R			2
B	F			2
S				4
L <sub>L</sub>	R <sub>R</sub>			2
B <sub>B</sub>	F <sub>F</sub>			2
4a				1
4				1
W <sub>S</sub>				4
W <sub>B</sub>				1
W <sub>W</sub>				2
5			-	4
6				16
7			0	16 outside and inside


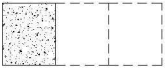






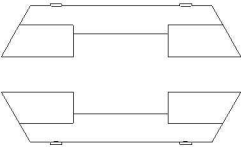
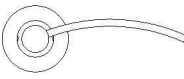
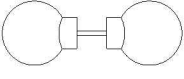

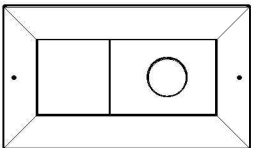


2. SAUNA CUBE 2 x 2

No.	Detail			
a			12	
b			3	
F			8	F1,F2,F3,F4, F5,F6,F7,F8
B			6	B1,B2,B3,B4,B5,B6
L			8	L1,L2,L3,L4, L5,L6,L7,L8
R			8	R1,R2,R3,R4, R5,R6,R7,R8
D			1	
SB			1	
SB <sub>1</sub>			1	

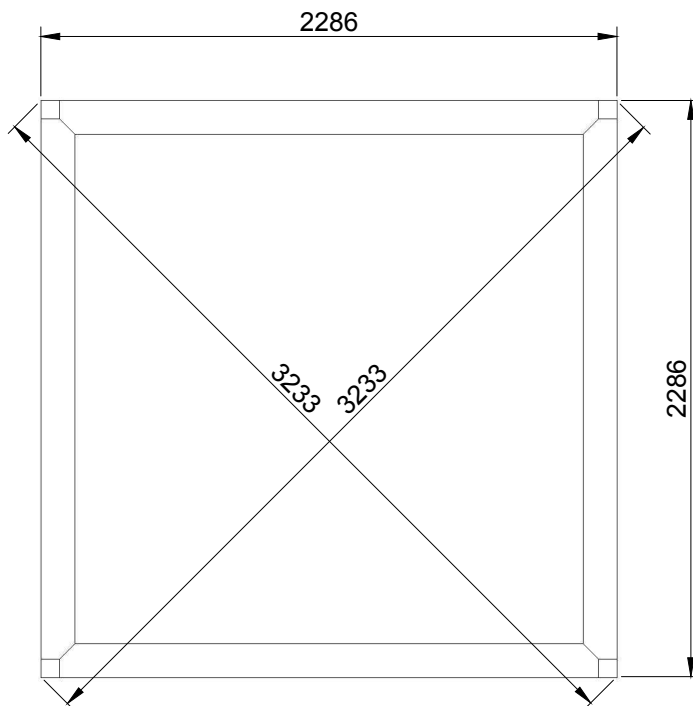
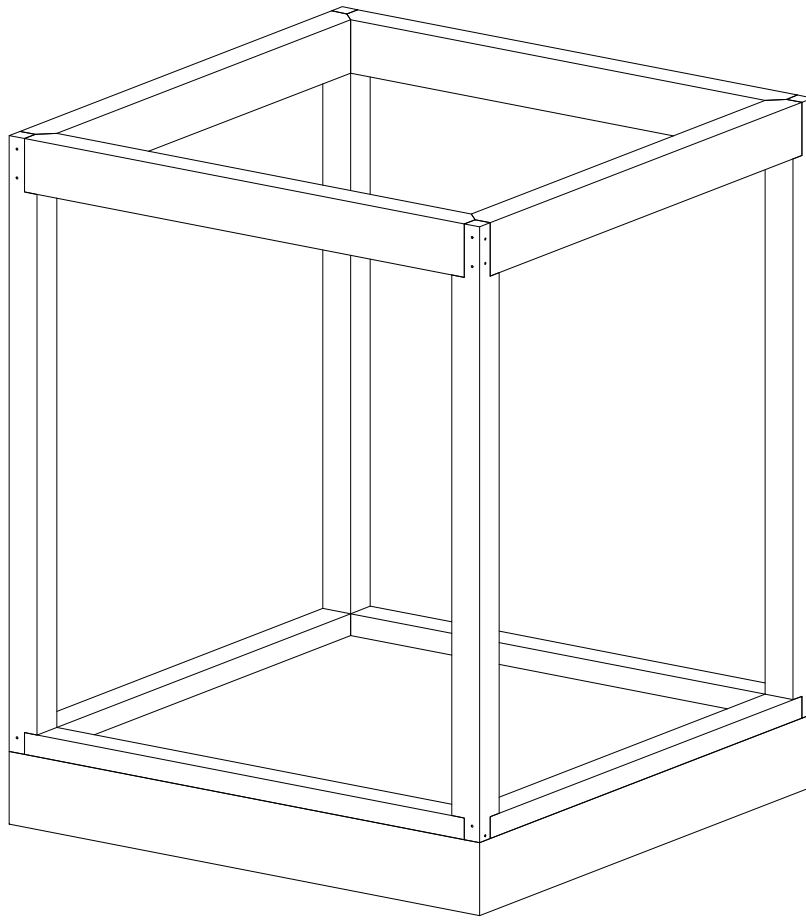
3. SAUNA CUBO 2x2

No.	Dettaglio	Pcs	
A0		28	
A1		8	
A2		—	
A3		—	
A4		24	
A5		90	
A6		—	
A7		—	
A8		315	
A9		—	
A10		—	
A11		16	
A12		—	
A13		—	
A14		—	
A15		—	
A16		20	
A17		1 pack	
A18		1 pack	
A19		—	
A20		1 pack	

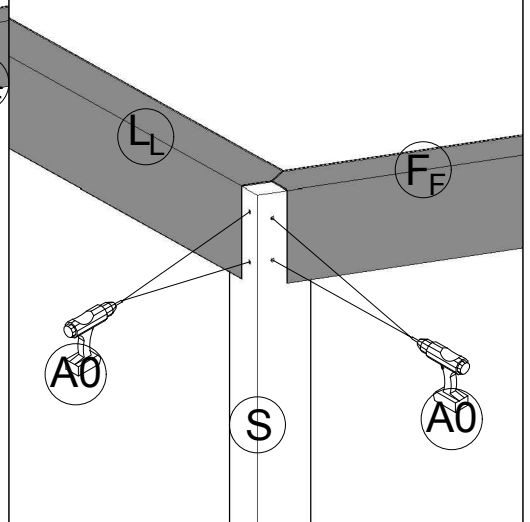
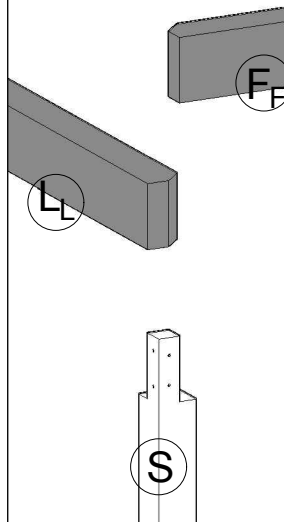
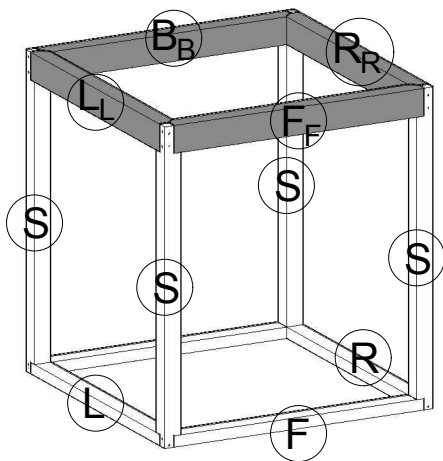
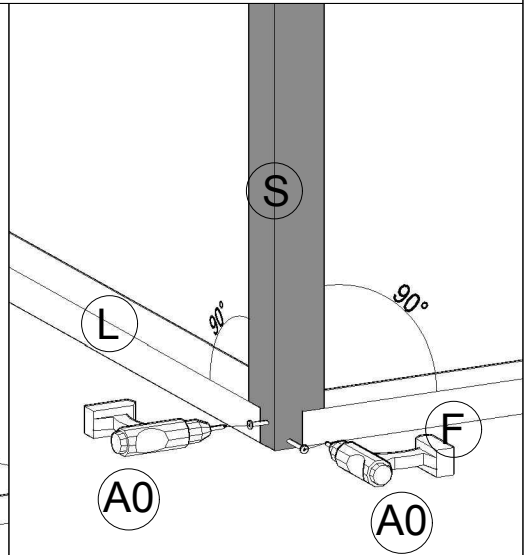
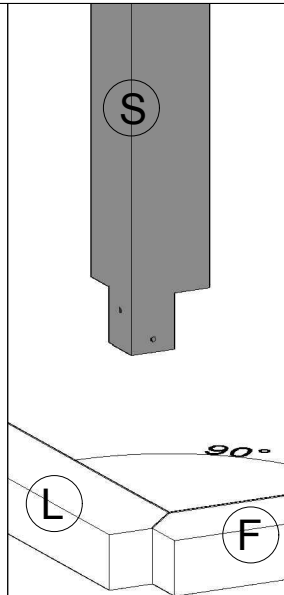
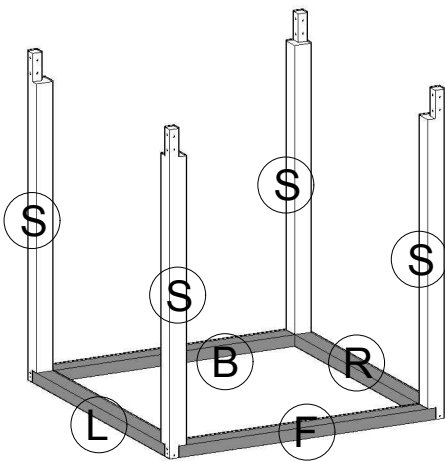
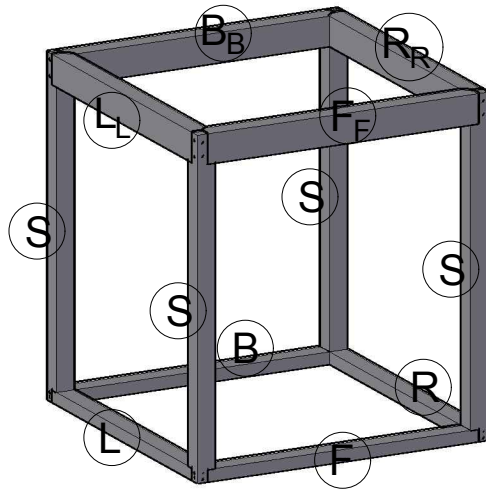
4. SAUNA CUBO 2 x 2

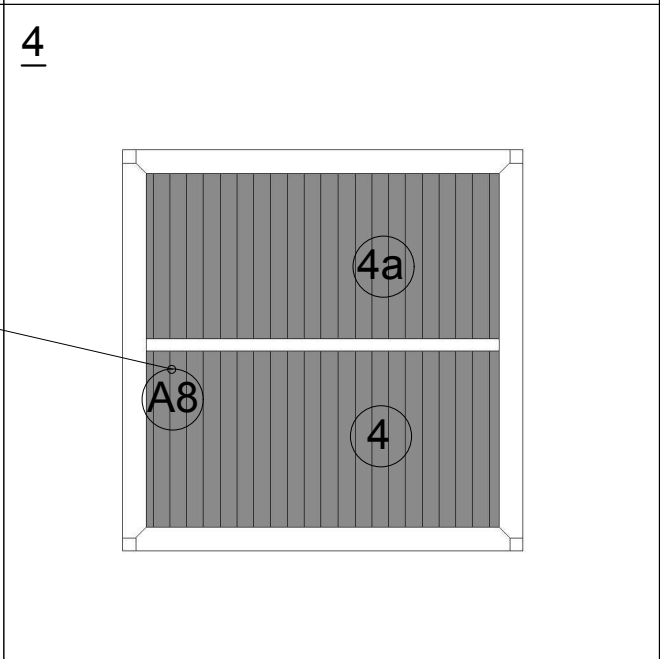
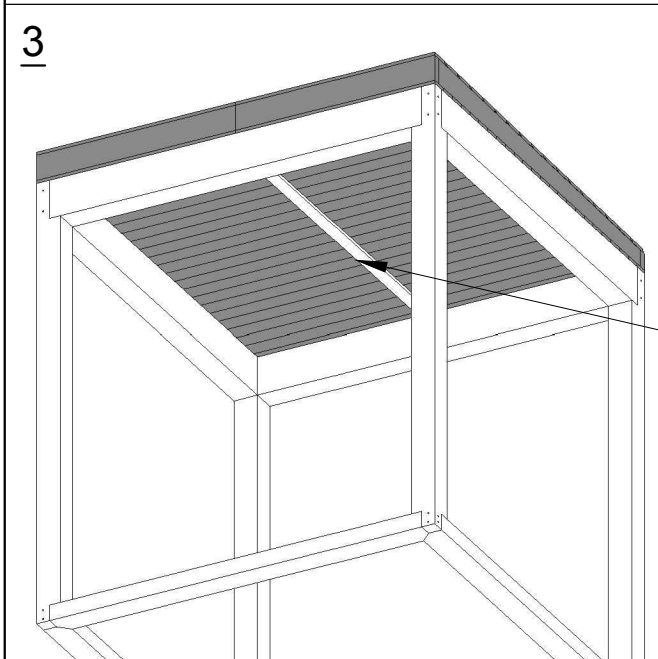
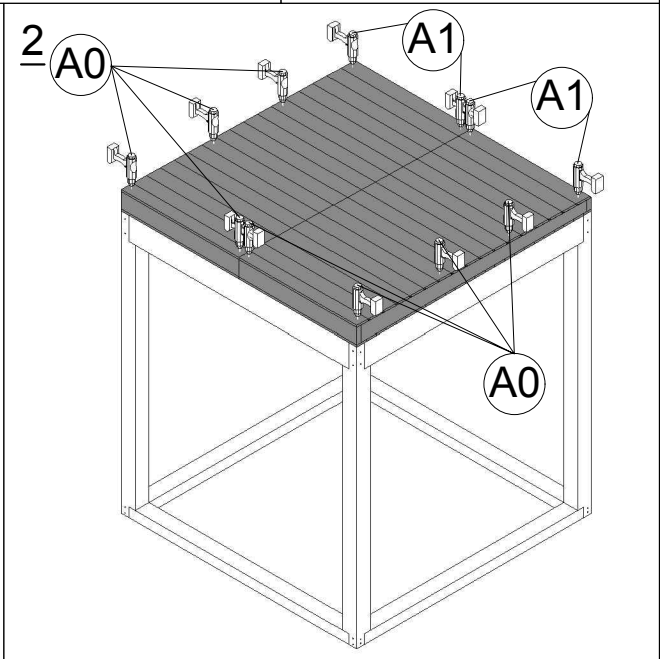
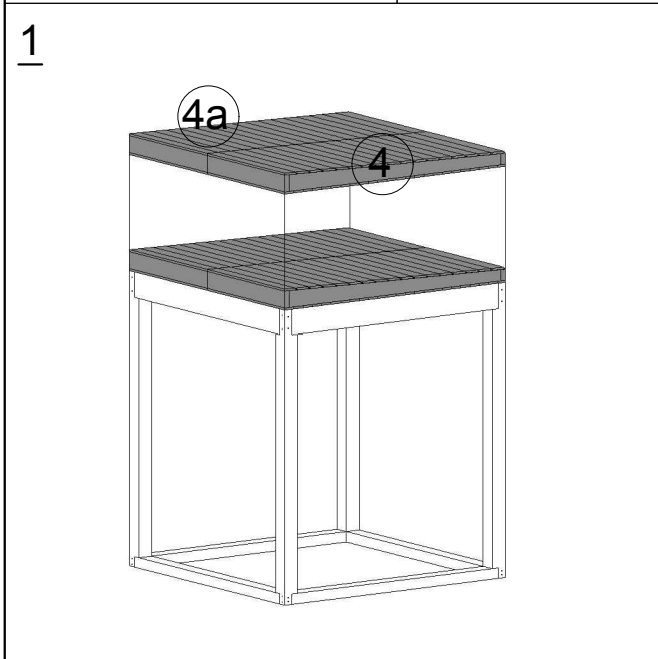
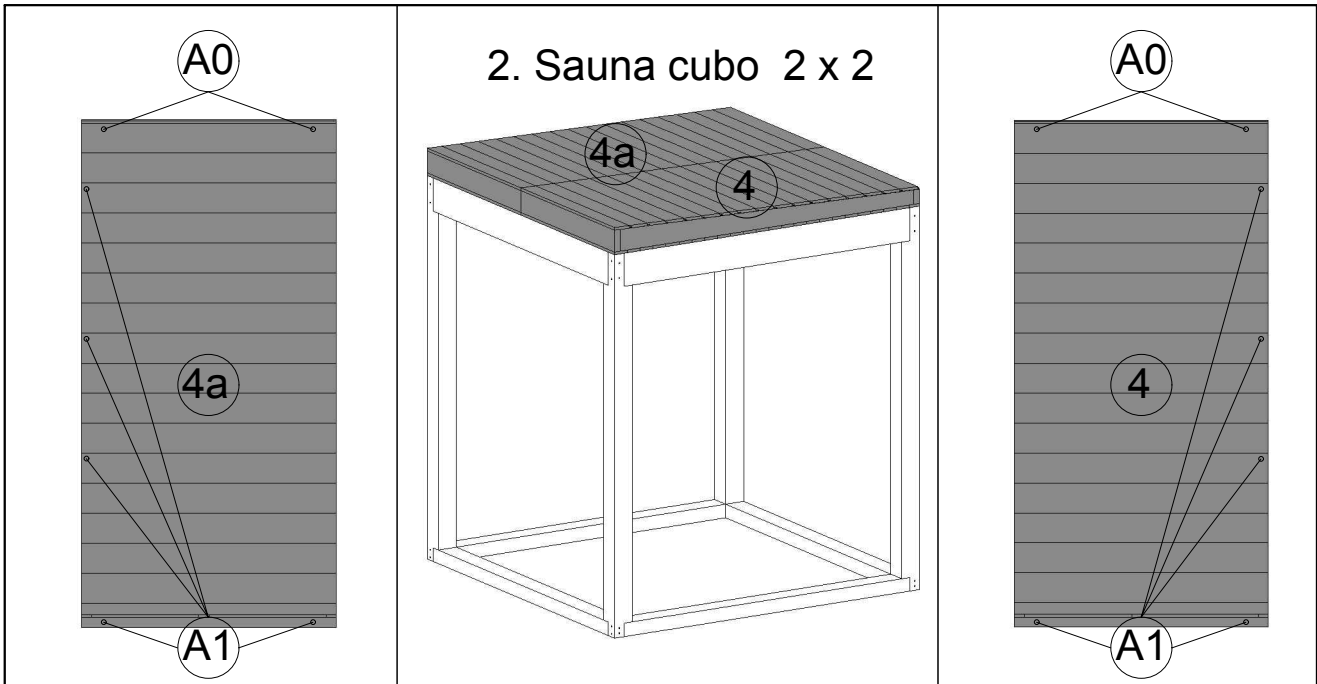
No.	Dettaglio	Pcs	
S1		—	
S2		—	
S3		—	
S4		—	
S5		—	
S6		—	
S7		2	
S8		3	
T1		1	
T2		—	
T3		—	
T4		1	
T5		1	
T6		1	
T7		—	

# Sauna Cubo 2 x 2 fundamenta



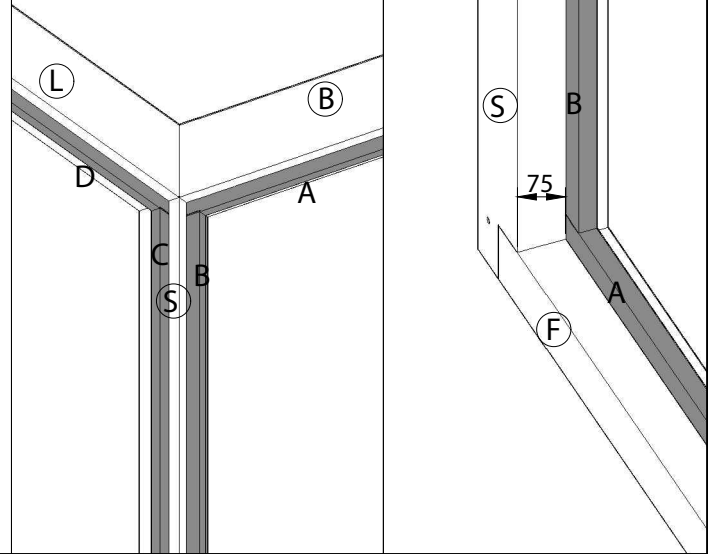
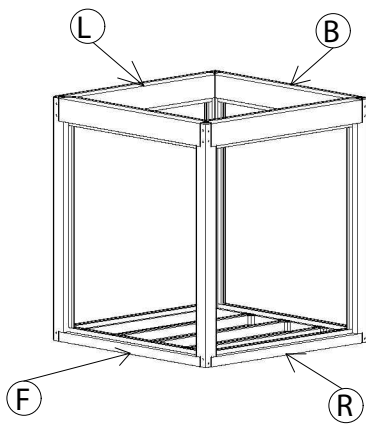
# 1. Sauna cubo 2 x 2



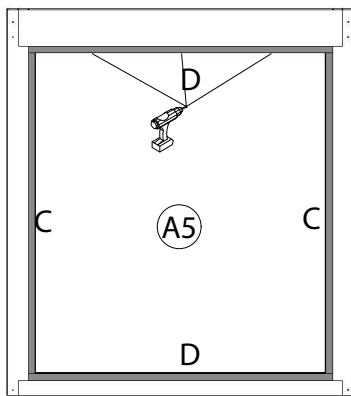




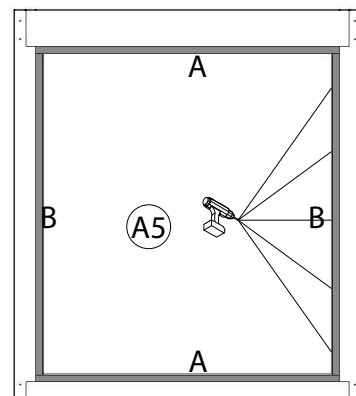
### 3. Sauna Cubo 2 x 2



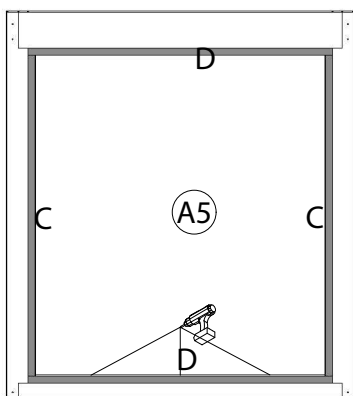
Vista laterale destra (R)



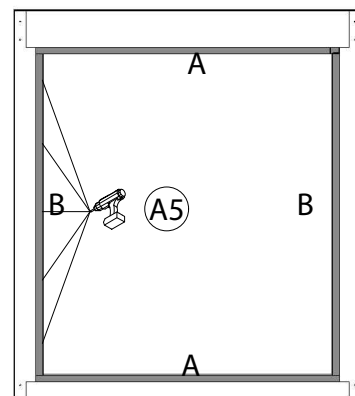
Vista frontale (F)



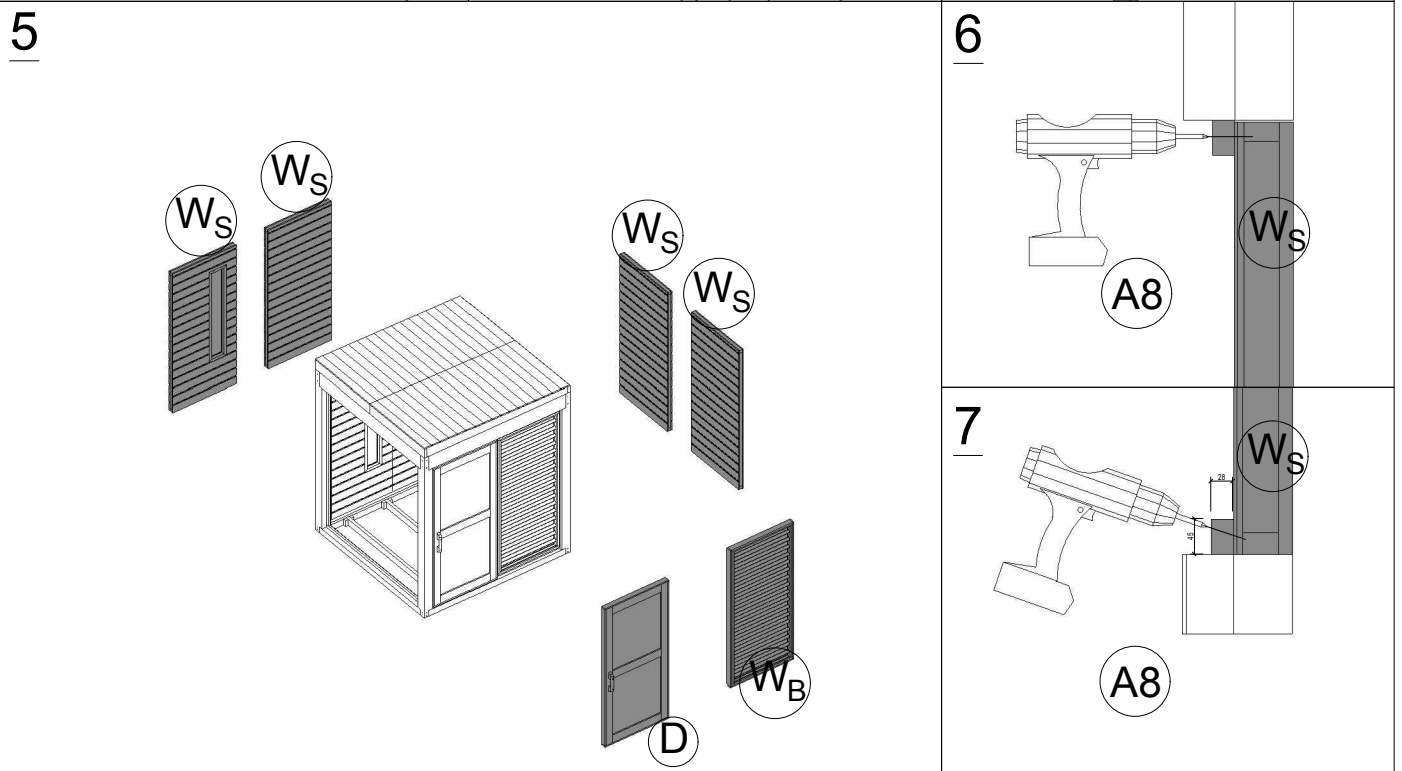
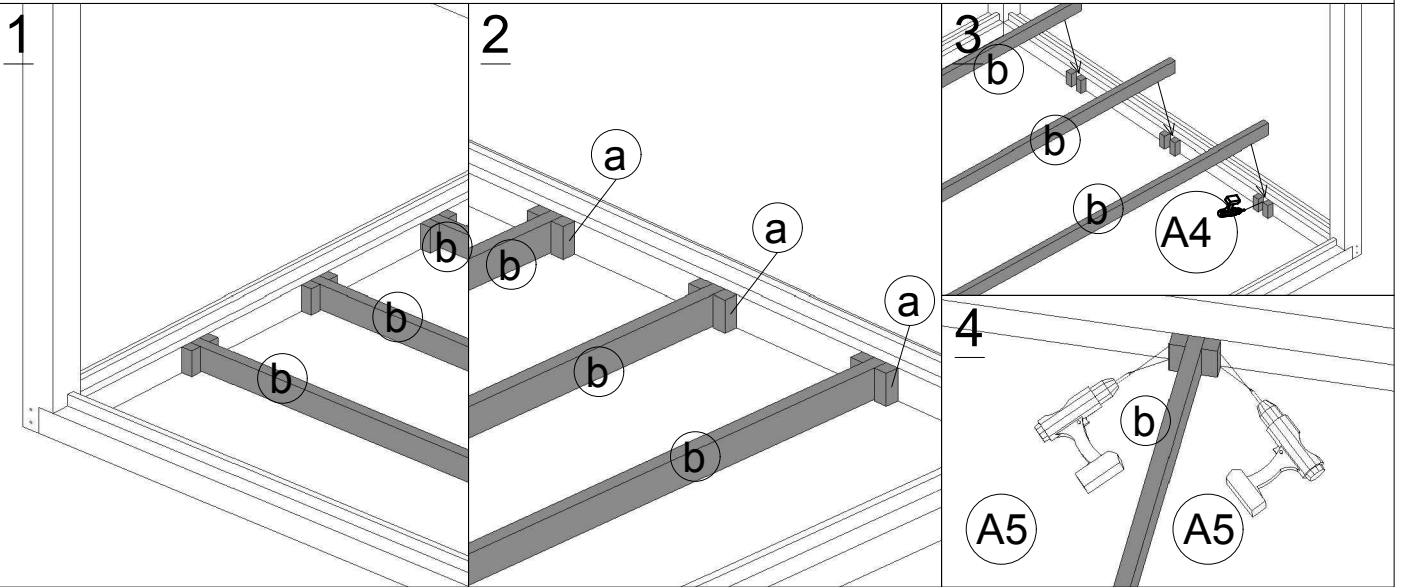
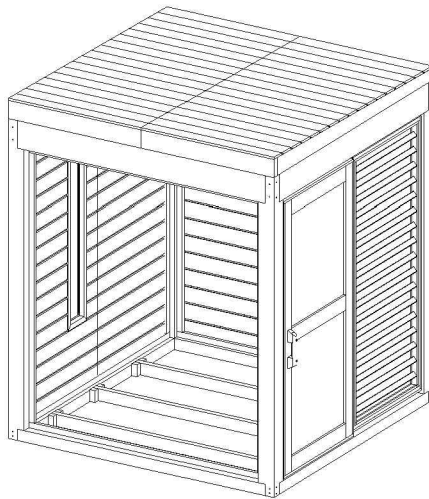
Vista laterale sinistra (L)



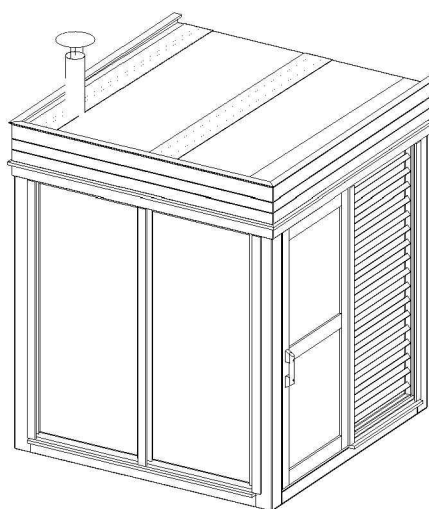
Vista posteriore (B)



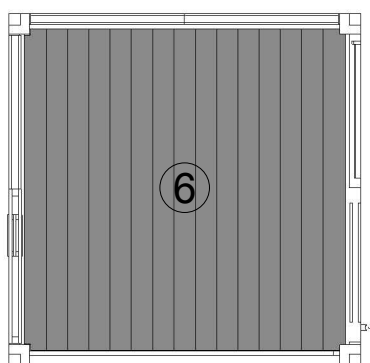
# 4. Sauna Cubo 2 x 2



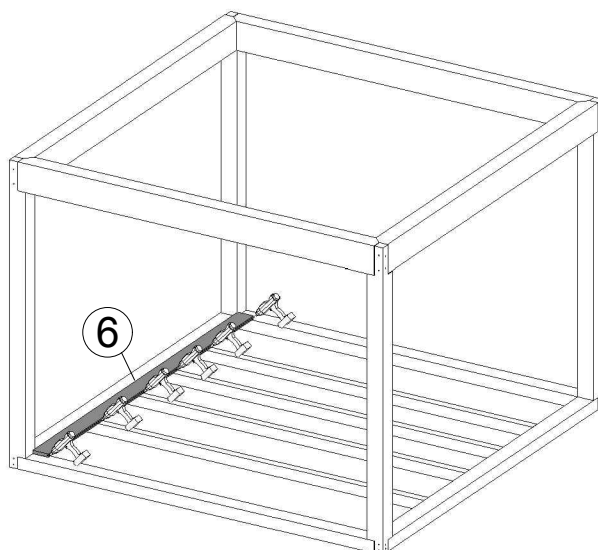
## 5. Sauna Cubo 2 x 2



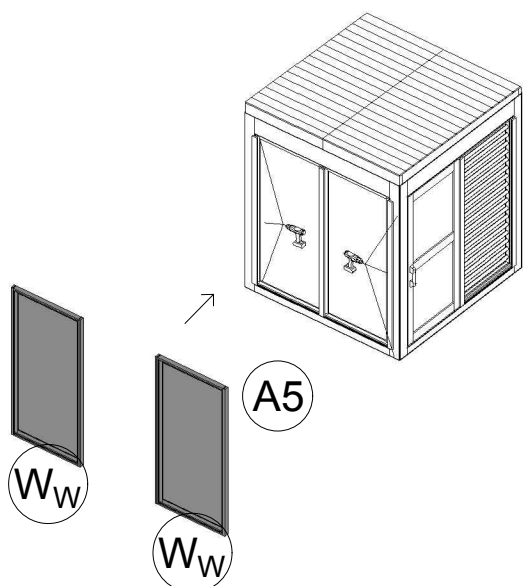
1



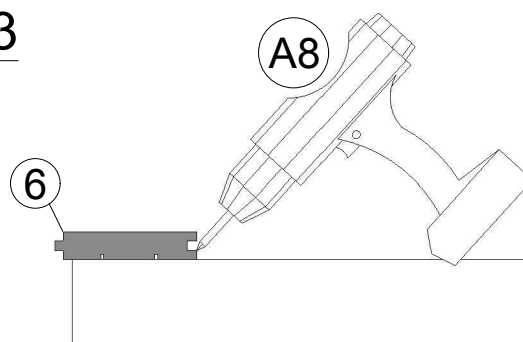
2



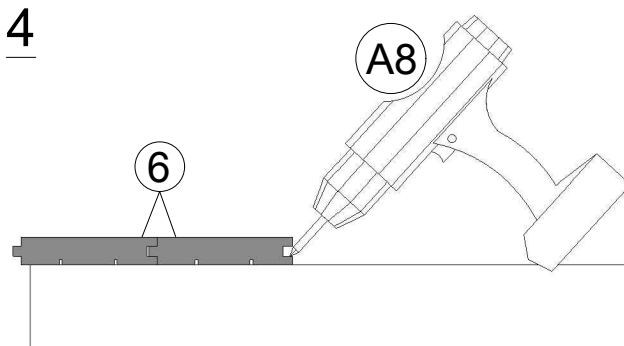
5



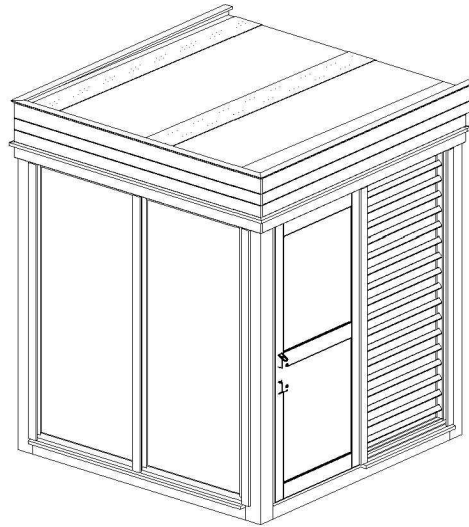
3



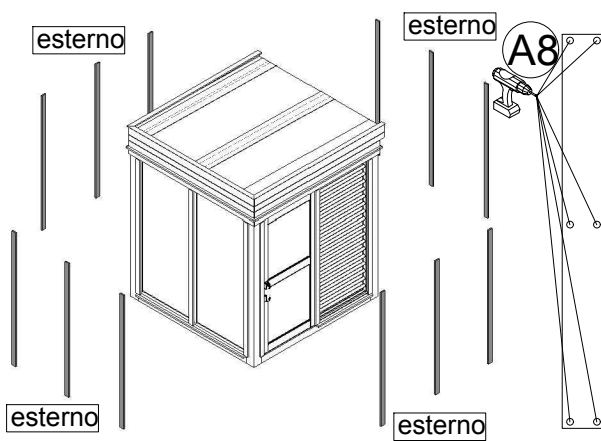
4



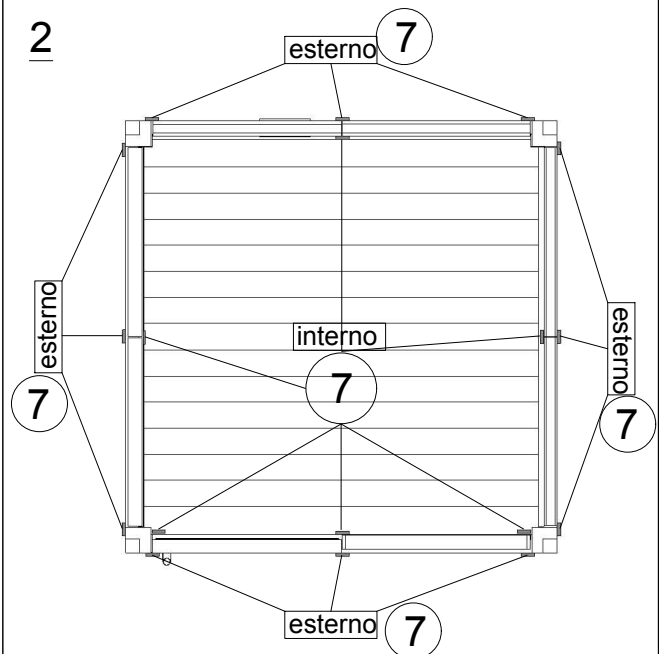
## 6. Sauna Cubo 2 x 2



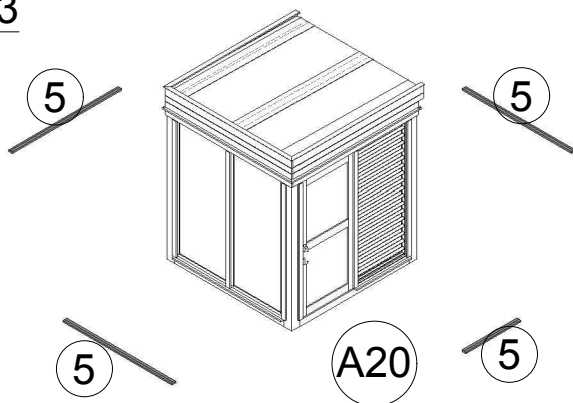
1



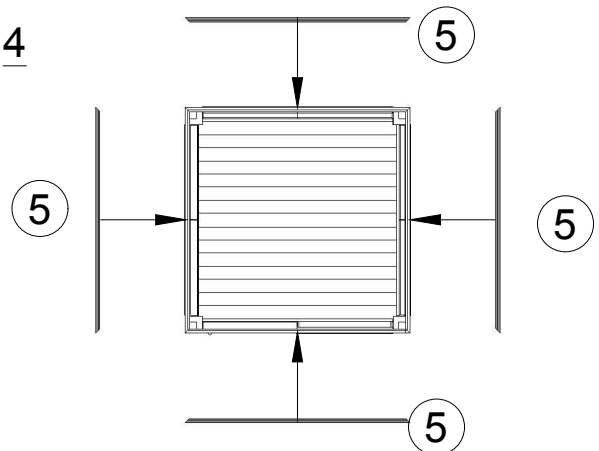
2



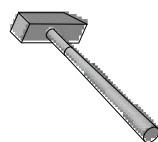
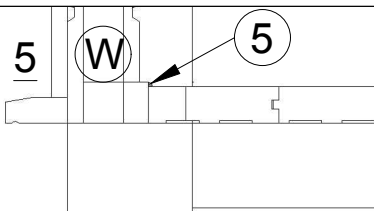
3



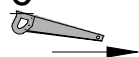
4



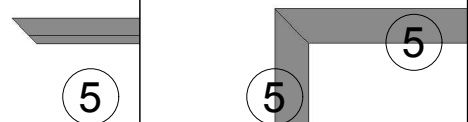
5



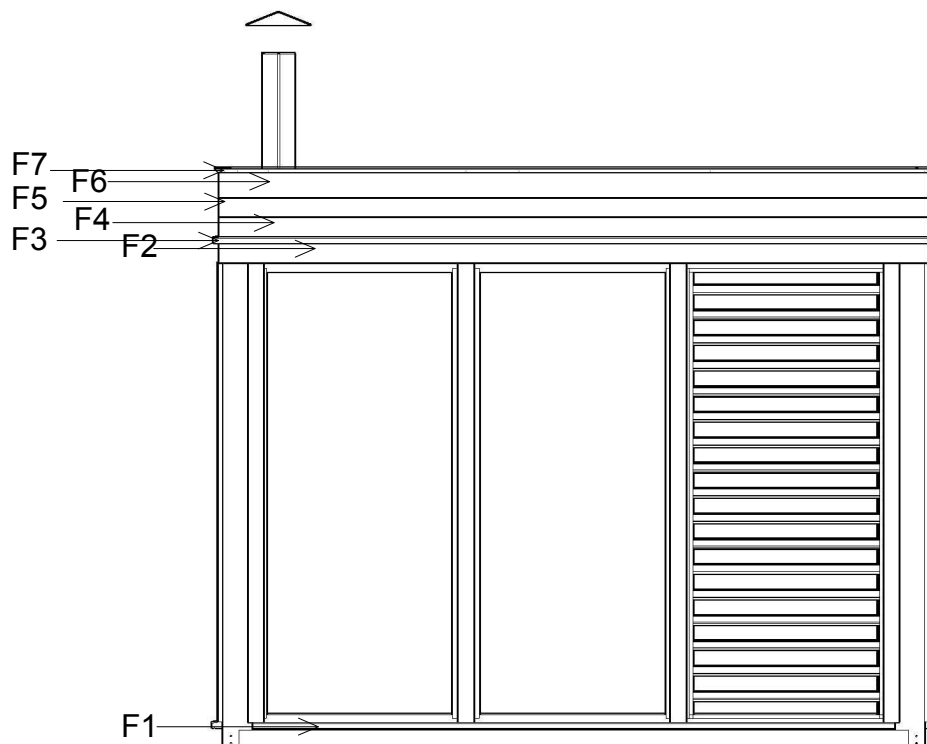
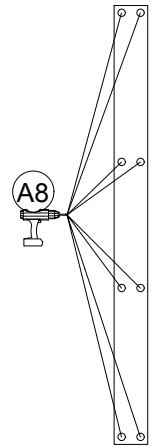
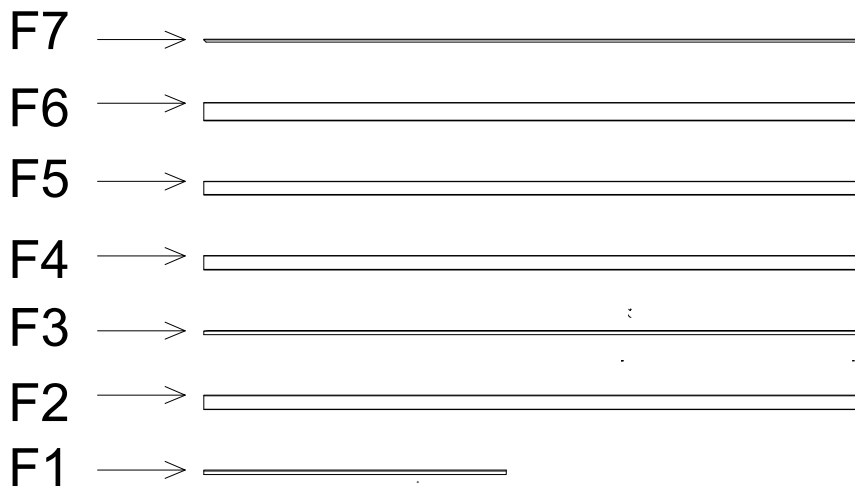
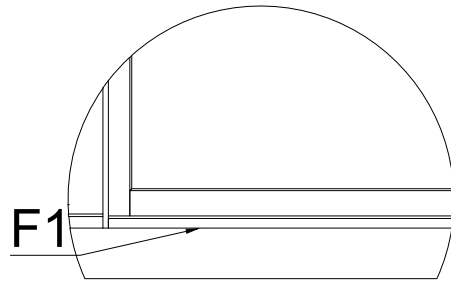
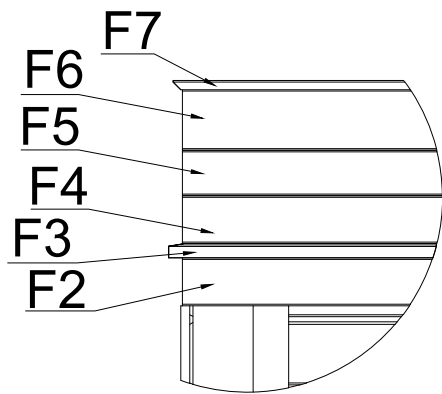
6



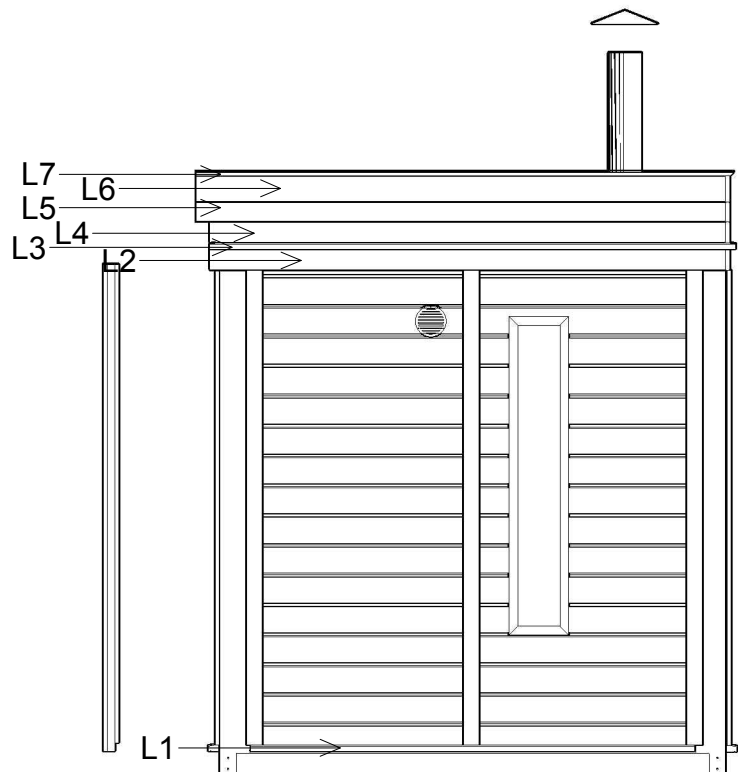
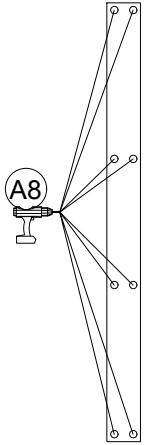
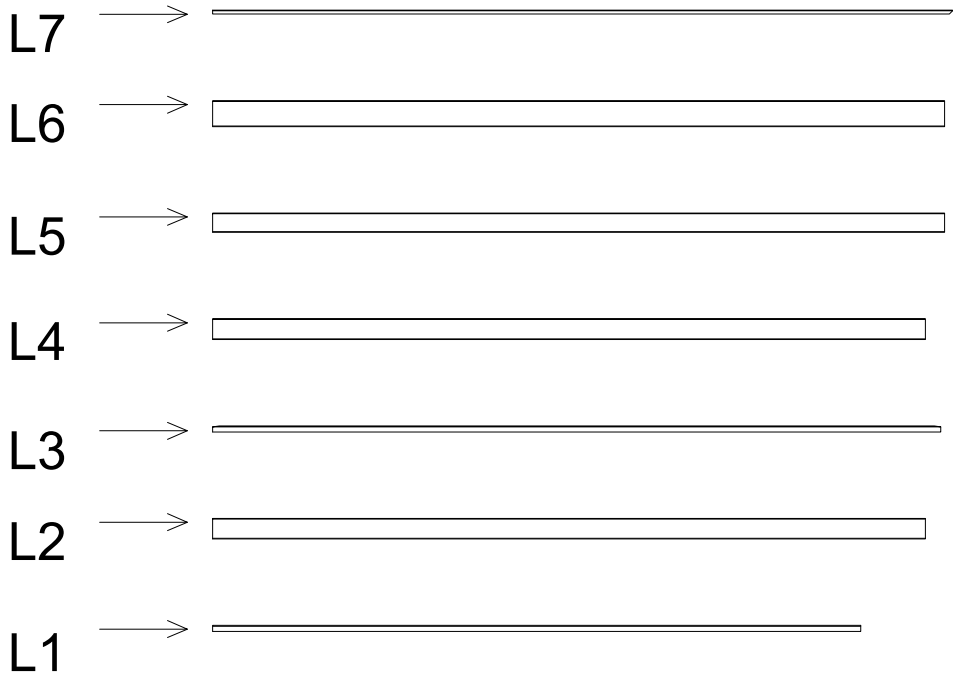
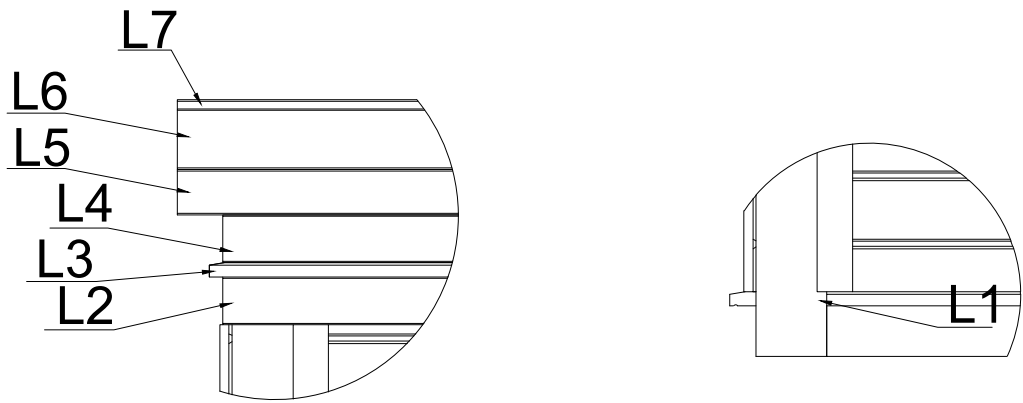
7



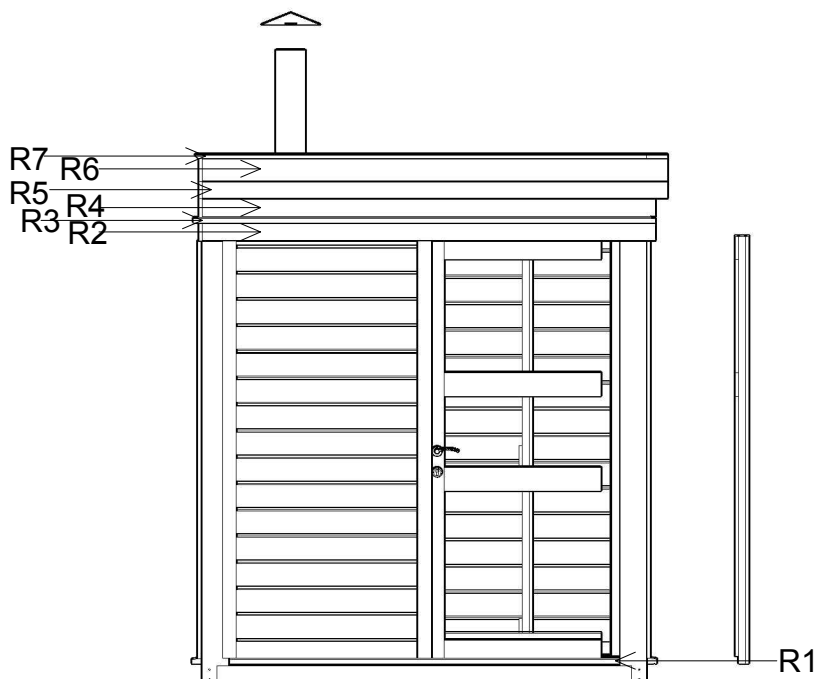
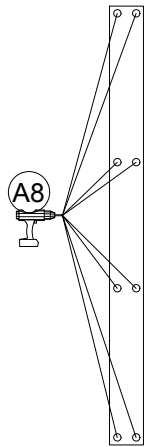
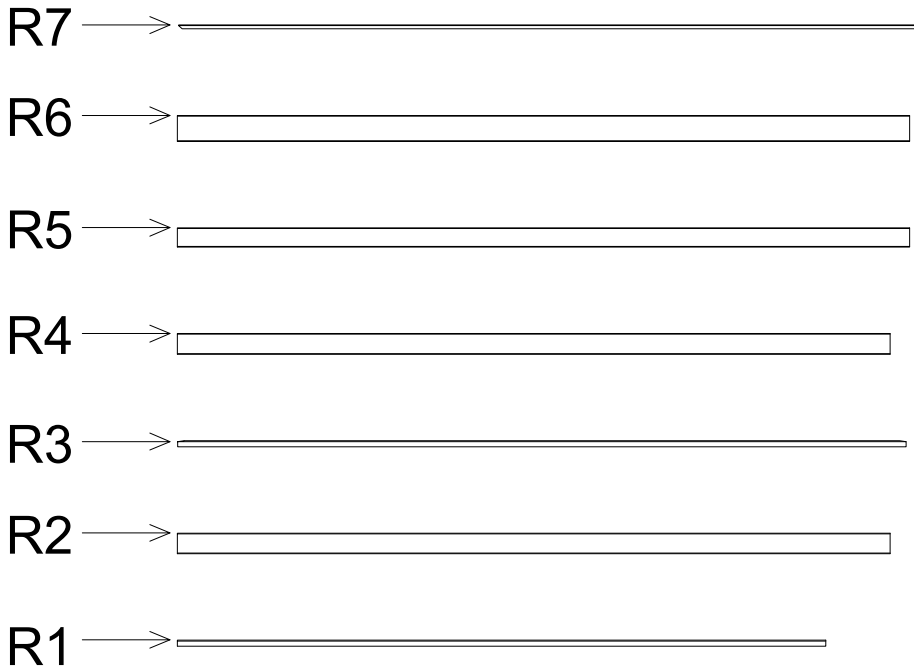
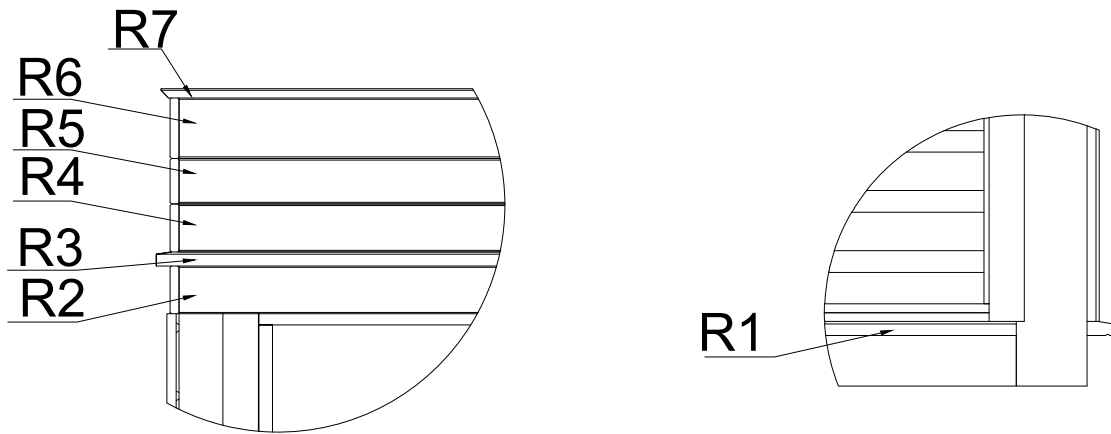
# 7. Sauna Cubo 2 x 2 - Lato anteriore



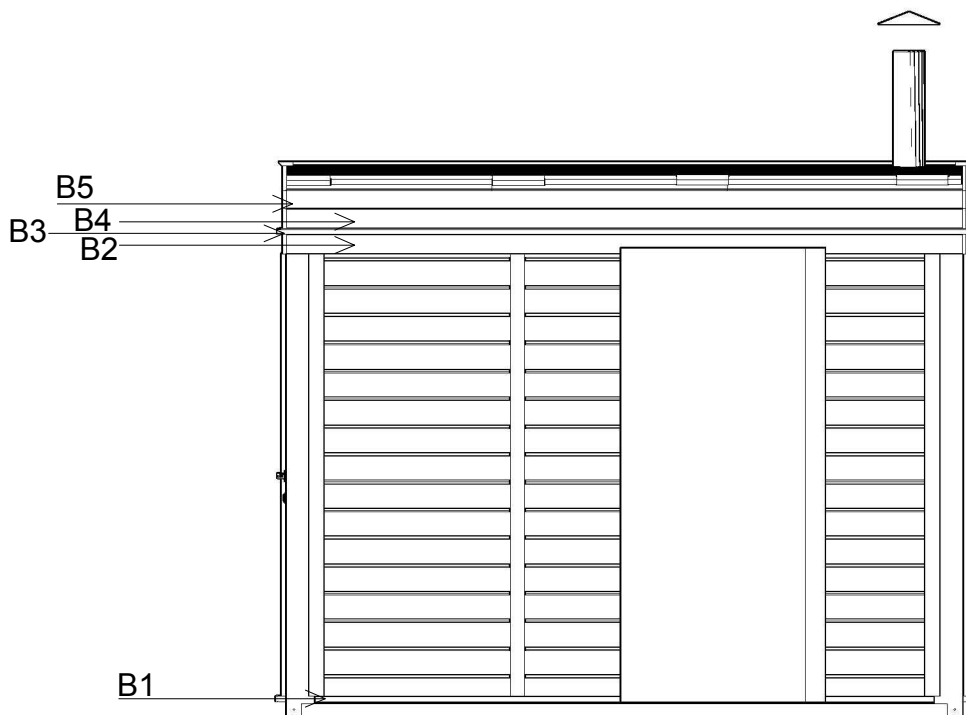
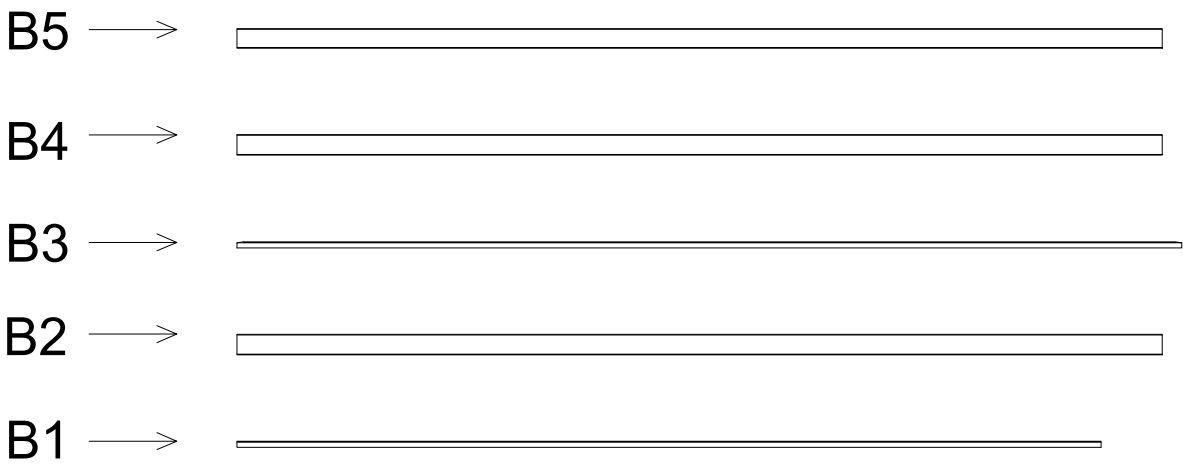
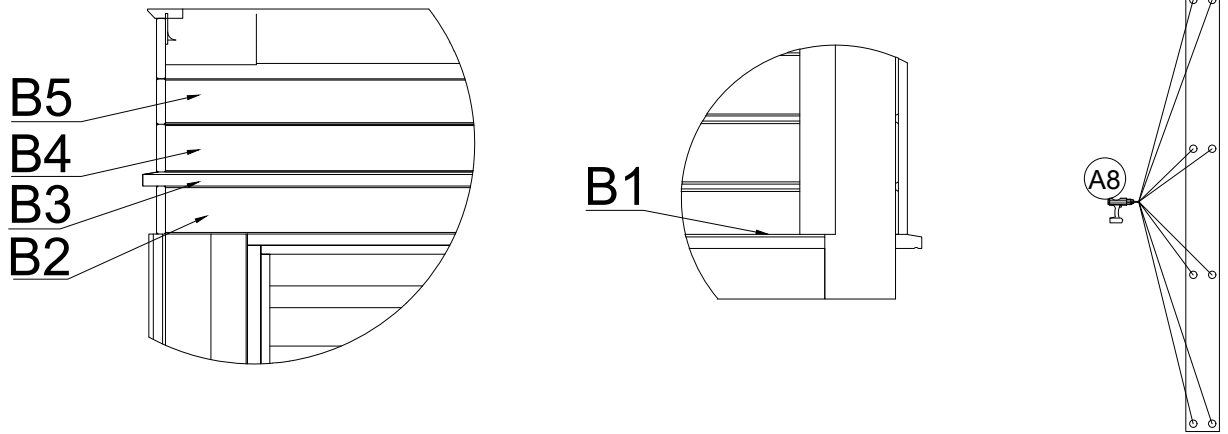
# 8. Sauna Cubo 2 x 2 - Lato sinistro



# 9. Sauna Cubo 2 x 2 - Lato destro

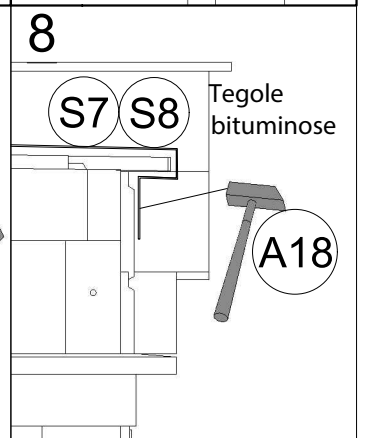
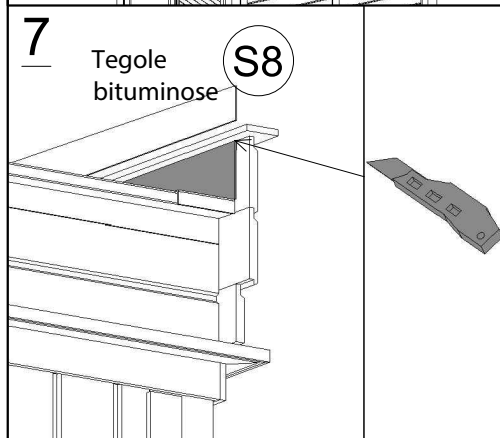
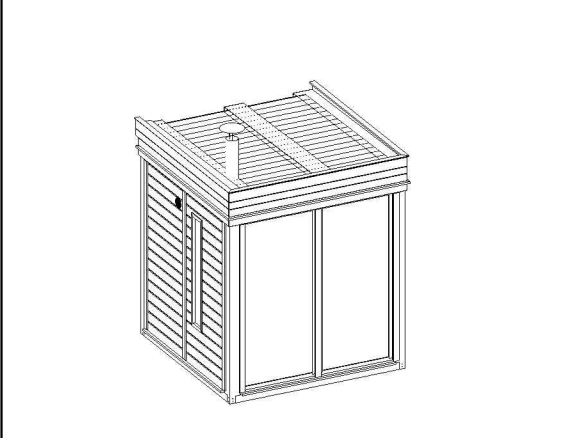
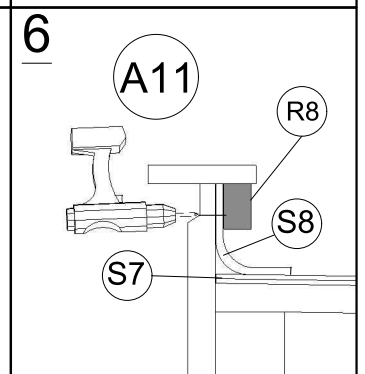
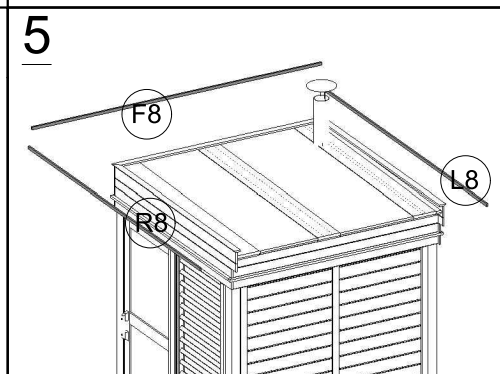
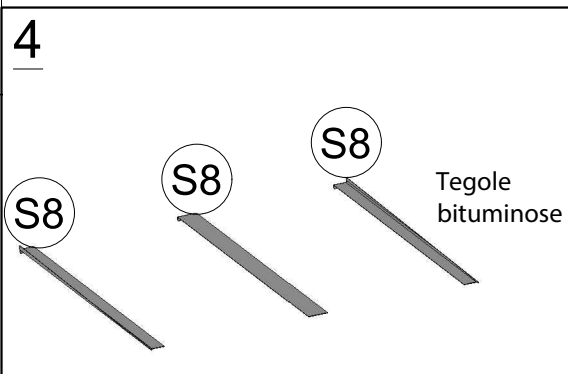
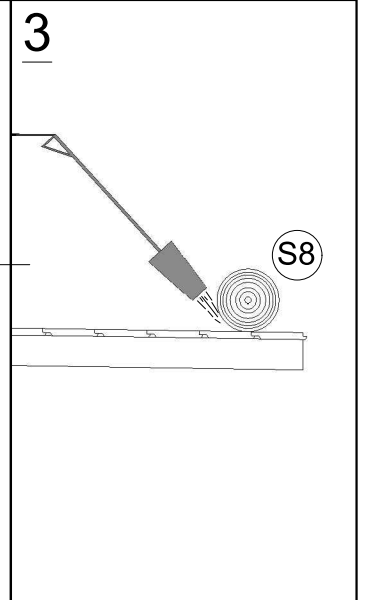
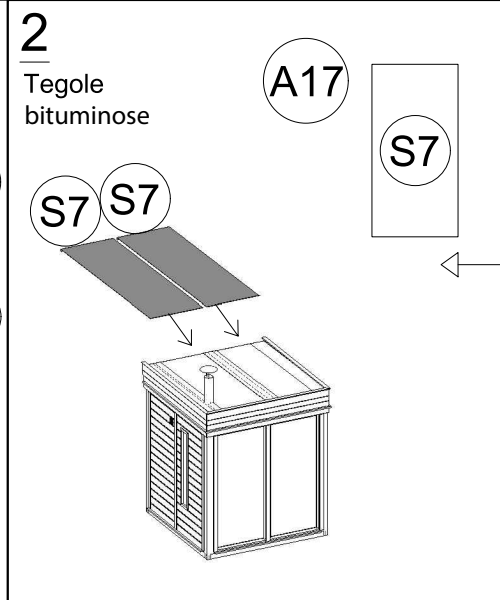
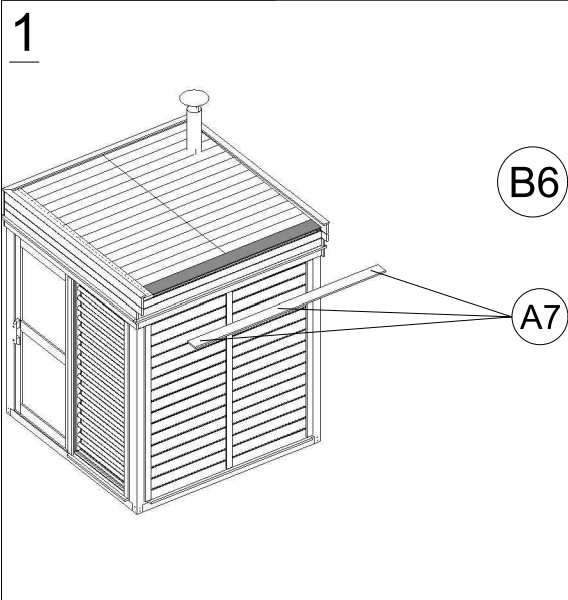
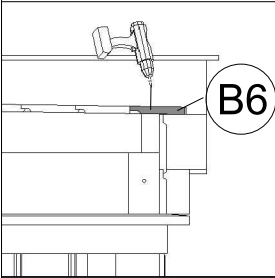
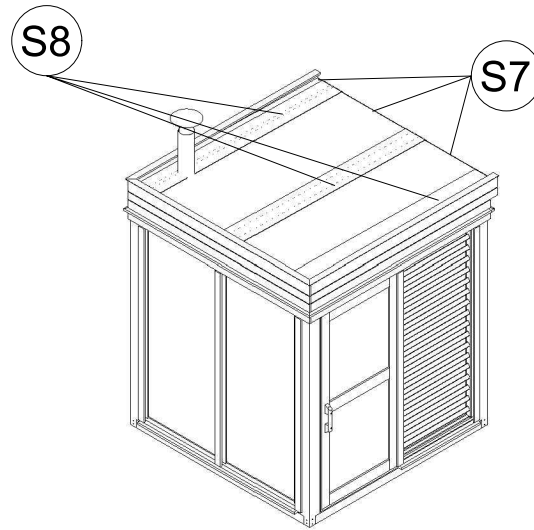


# 10. Sauna Cubo 2 x 2 - Lato posteriore

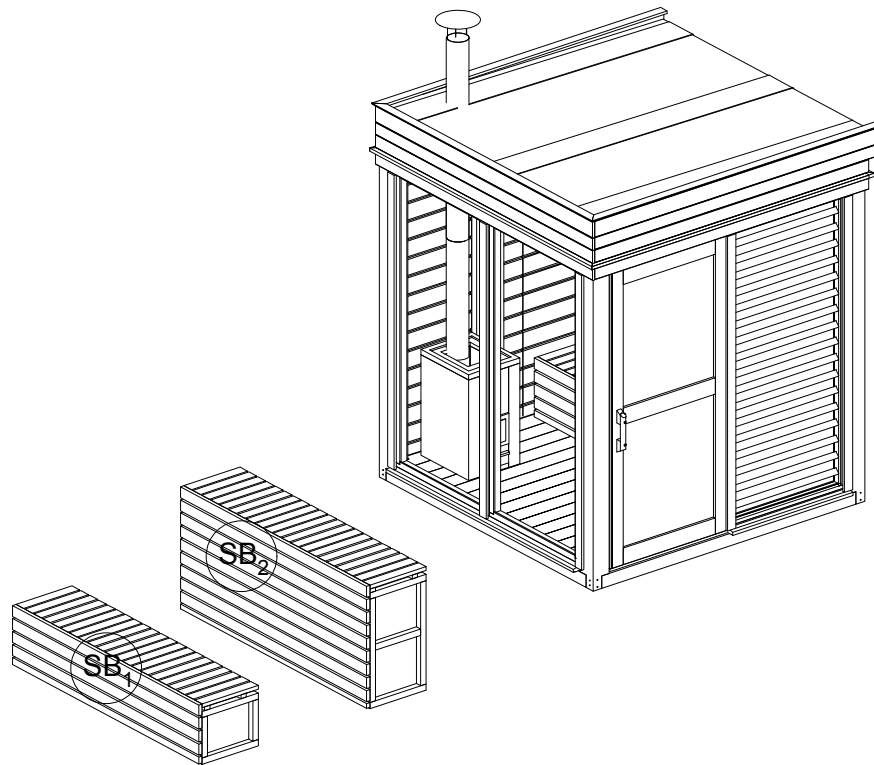
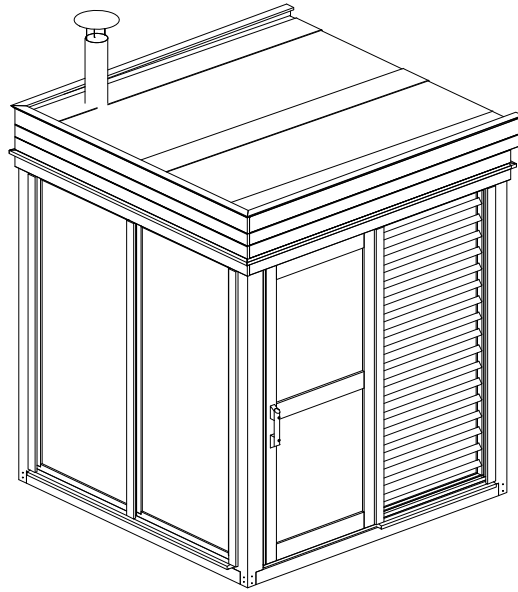




# 11. Sauna Cubo 2 x 2



## 12. Sauna Cubo 2 x 2



# 13. Sauna Cubo 2 x 2

