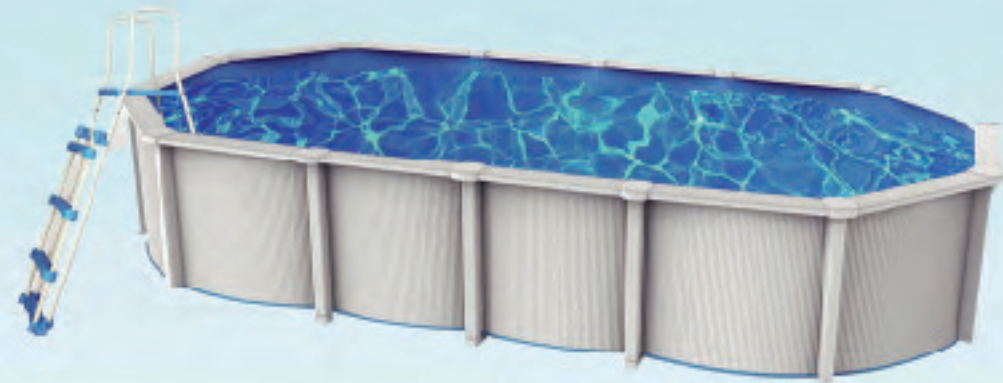




# WHITE POOL

## Instruction Manual



**IMPORTANT: READ ALL STEPS OF THIS MANUAL BEFORE INSTALLATION.  
RETAIN THIS MANUAL FOR LATER REFERENCE.**

# **WARNING!**

To lessen your risk of serious injury or death, follow these rules:

## **IMPORTANT SAFETY INSTRUCTIONS**

The following instructions contain important safety information, we strongly encourage you to read these important safety instructions and abide by them when using this pool. When installing and using this electrical equipment, basic safety precautions should always be followed, This includes the following.




**WARNING!**  
**CHILDREN HAVE DROWNED IN PORTABLE SWIMMING POOLS. ENSURE ACTIVE ADULT SUPERVISION AT ALL TIMES. DO NOT LEAVE CHILDREN UNSUPERVISED IN OR AROUND THE POOL – KEEP THEM WITHIN ARMS’ REACH. POOL FENCING LAWS APPLY TO THIS POOL. CONSULT YOUR LOCAL GOVERNMENT AUTHORITY FOR FENCING REQUIREMENTS.**

## **READ AND FOLLOW ALL INSTRUCTIONS.**

- NOTE -** Please examine equipment before use. If there are any damaged or missing parts at the time of purchase, do not assemble or operate until parts are replaced.
- WARNING -** Consult your local council, state government or water authority in regards to the use of water and / or water restrictions relating to this product.
- WARNING -** Pool fencing laws affect this product, consult your local council and state government. Abide by state and federal law requirements such as fencing, enclosures, childproof gates, etc.
- WARNING -** Water attracts children; Always remove pool ladder when not in use. Store in a place not accessible to children.
- DANGER -** Prevent the Risk of Accidental Drowning. Extreme caution must be exercised to prevent unauthorized access by children. To avoid accidents, ensure that children can not use the Pool unless they are supervised by an adult at all times.  
**NEVER LEAVE CHILDREN UNATTENDED.**
- WARNING - RISK OF ELECTRIC SHOCK.** Connect Filter Pump only to a grounding type receptacle protected by an RCD (Residual Current Device). Use a qualified electrician to install the RCD, which has a maximum rate of 30mA.
- WARNING -** Know where the cut-off switch for your pump is at all times, so you can turn it off in an emergency. It is necessary to have the RCD (Residual Current Device) Cut-Off Switch plug accessible after installation of the Pool.
- WARNING -** Never use an extension cord to connect the filter pump to a power source. Doing so could cause damage to the filter pump system.

# **WARNING!**

To lessen your risk of serious injury or death, follow these rules:

- WARNING -** To avoid electrocution, do not permit electric devices i.e. light, telephone, radio, television, hair dryer, etc within 2.5m(8ft) of this Pool.
- WARNING - RISK OF ELECTRIC SHOCK.** Never operate any electrical appliance when in the Pool or when your body is wet.
- WARNING -** To reduce the risk of injury or hazard, have any damaged cord replaced immediately by the manufacturer, its service agent, or similarly qualified persons.
- WARNING -** Do not bury electric cord. Avoid using lawn mowers, hedge trimmers and other garden equipment near or around the Metal Wall Pool and electrical cord.
- WARNING -** NEVER swim or bathe in the Pool during rain or an electrical storm or if there is a threat of lightning in the vicinity of the Pool.
- WARNING -** NEVER allow horseplay, diving or jumping into or around the Metal Wall Pool. Never enter the Pool via any decks or other raised surfaces; the water level of the Pool is shallow. Serious injury, paralysis or death could result.
- CAUTION -** It is advisable to wear protective gloves when assembling pool 



**NO DIVING**



**NO JUMPING**



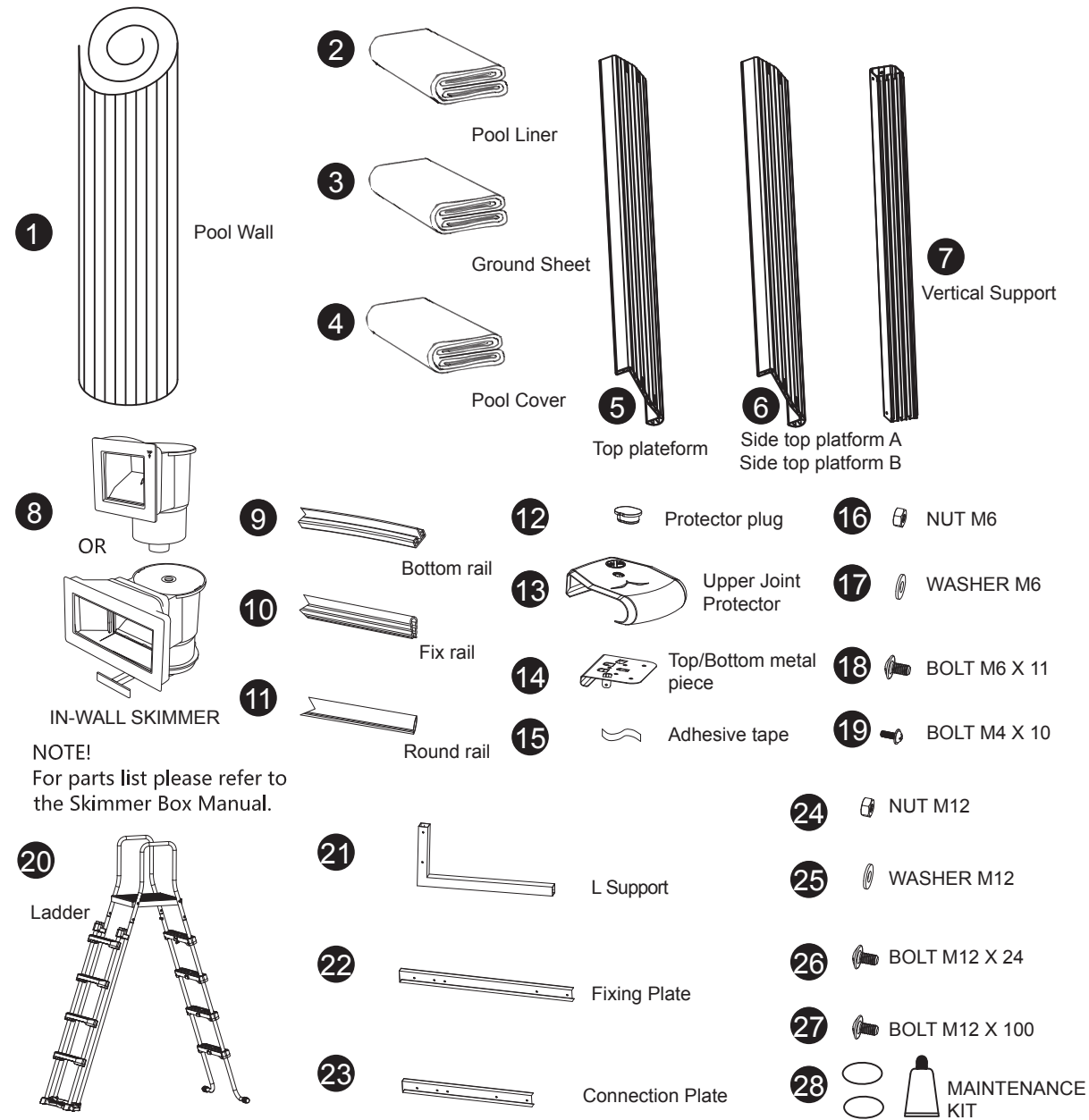
**NO SLOPING GROUND**



**USE ONLY UNDER  
COMPETENT SUPERVISION**

**SAVE THESE INSTRUCTIONS**

# Product Contents



NOTE!  
For parts list please refer to the Skimmer Box Manual.

Item No.	Pool Dimension (metric)	Item No.	Pool Dimension (imperial)
PSP493612B	L4900xW3600xH1200mm	PSP161248	L16'xW12'xH48"
PSP613612B	L6100xW3600xH1200mm	PSP201248	L20'xW12'xH48"
PSP733612B	L7300xW3600xH1200mm	PSP241248	L24'xW12'xH48"
PSP914612B	L9100xW4600xH1200mm	PSP301548	L30'xW15'xH48"
PSP493613B	L4900xW3600xH1300mm	PSP161252	L16'xW12'xH52"
PSP613613B	L6100xW3600xH1300mm	PSP201252	L20'xW12'xH52"
PSP733613B	L7300xW3600xH1300mm	PSP241252	L24'xW12'xH52"
PSP914613B	L9100xW4600xH1300mm	PSP301552	L30'xW15'xH52"

SKY OVAL POOL							
NO.	PART NO.	PARTS DESCRIPTION	PSP493612	PSP613612	PSP733612	PSP914612	
			PSP161248	PSP201248	PSP241248	PSP301548	
1	20191001	POOL WALL	1	1	1	1	
2	20191002	POOL LINER	1	1	1	1	
3	20191003	GROUND SHEET	1	1	1	1	
4	20191004	POOL COVER	0	0	0	0	
5	201910051	TOP PLATFORM 1370mm Length	10	10	10	0	
	201910052	TOP PLATFORM 1460mm Length	0	0	0	12	
6	201910061	SIDE TOP PLATFORM A 1210mm Length	0	2	4	0	
	201910062	SIDE TOP PLATFORM A 1445mm Length	0	0	0	4	
7	20191007	POOL WALL VERTICAL SUPPORT	10	12	14	16	
8	20191008	LEAF SKIMMER	1	1	1	1	
9	201910091	BOTTOM RAIL A 1350mm Length	10	10	10	0	
	201910092	BOTTOM RAIL A 1245mm Length	0	2	4	0	
	201910093	BOTTOM RAIL A 1445mm Length	0	0	0	16	
10	201910101	FIX RAIL B 1380mm Length	11	11	11	0	
	201910102	FIX RAIL B 1270mm Length	0	2	4	0	
	201910103	FIX RAIL B 1460mm Length	0	0	0	17	
11	201910111	ROUND RAIL C 1380mm Length	11	11	11	0	
	201910112	ROUND RAIL C 1270mm Length	0	2	4	0	
	201910113	ROUND RAIL C 1460mm Length	0	0	0	17	
12	20191012	PROTECTOR PLUG	10	12	14	16	
13	20191013	UPPER JOINT PROTECTOR	10	12	14	16	
14	20191014	TOP/BOTTOM METAL PIECE	18	20	22	26	
15	20191015	SELF ADHESIVE TAPE	1	1	1	1	
16	20191016	M6-NUT	26	26	26	26	
17	20191017	M6-WASHER	26	26	26	26	
18	20191018	M6x11-BOLT	78	90	102	112	
19	20191019	M4x10-BOLT	54	80	66	78	
20	20191020	LADDER	1	1	1	1	
21	20191021	L SUPPORT	2	4	6	6	
22	201910221	Fixing Plate 1415mm Length	2	4	6	0	
	201910222	Fixing Plate 1714mm Length	0	0	0	6	
23	201910231	Connection Plate 1270mm Length	1	2	3	0	
	201910232	Connection Plate 1620mm Length	0	0	0	3	
24	20191024	M12-NUT	8	16	24	24	
25	20191025	M12-WASHER	8	16	24	24	
26	20191026	M12x24-BOLT	4	8	12	12	
27	20191027	M12x100-BOLT	4	8	12	12	
28	20191028	MAINTENANCE KIT	1	1	1	1	

SKY OVAL POOL							
NO.	PART NO.	PARTS DESCRIPTION		PSP493613	PSP613613	PSP733613	PSP914613
				PSP161252	PSP201252	PSP241252	PSP301552
1	30191001	POOL WALL		1	1	1	1
2	30191002	POOL LINER		1	1	1	1
3	30191003	GROUND SHEET		1	1	1	1
4	30191004	POOL COVER		0	0	0	0
5	301910051	TOP PLATFORM	1370mm Length	10	10	10	0
	301910052	TOP PLATFORM	1460mm Length	0	0	0	12
6	301910061	SIDE TOP PLATFORM A	1210mm Length	0	2	4	0
	301910062	SIDE TOP PLATFORM A	1445mm Length	0	0	0	4
7	30191007	POOL WALL VERTICAL SUPPORT		10	12	14	16
8	30191008	LEAF SKIMMER		1	1	1	1
9	301910091	BOTTOM RAIL A	1350mm Length	10	10	10	0
	301910092	BOTTOM RAIL B	1245mm Length	0	2	4	0
	301910093	BOTTOM RAIL C	1445mm Length	0	0	0	16
10	301910101	FIX RAIL A	1380mm Length	11	11	11	0
	301910102	FIX RAIL B	1270mm Length	0	2	4	0
	301910103	FIX RAIL C	1460mm Length	0	0	0	17
11	301910111	ROUND RAIL A	1380mm Length	11	11	11	0
	301910112	ROUND RAIL B	1270mm Length	0	2	4	0
	301910113	ROUND RAIL C	1460mm Length	0	0	0	17
12	30191012	PROTECTOR PLUG		10	12	14	16
13	30191013	UPPER JOINT PROTECTOR		10	12	14	16
14	30191014	TOP/BOTTOM METAL PIECE		18	20	22	26
15	30191015	SELF ADHESIVE TAPE		1	1	1	1
16	30191016	M6-NUT		29	29	29	29
17	30191017	M6-WASHER		29	29	29	29
18	30191018	M6x11-BOLT		83	97	111	121
19	30191019	M4x10-BOLT		54	80	66	78
20	30191020	LADDER		1	1	1	1
21	30191021	L SUPPORT		2	4	6	6
22	301910221	FIXING PLATE	1415mm Length	2	4	6	0
	301910222	FIXING PLATE	1714mm Length	0	0	0	6
23	301910231	CONNECTION PLATE	1270mm Length	1	2	3	0
	301910232	CONNECTION PLATE	1620mm Length	0	0	0	3
24	30191024	M12-NUT		8	16	24	24
25	30191025	M12-WASHER		8	16	24	24
26	30191026	M12x24-BOLT		4	8	12	12
27	30191027	M12x100-BOLT		4	8	12	12
28	20191028	MAINTENANCE KIT		1	1	1	1

## Selecting a Suitable Site

Carefully select the site for your new pool. This is the most important decision you will have to make to ensure the safety and success of your pools construction. An incorrect site could cause problems in the future that may cause injury, death or financial loss. Read carefully the check list set out below when selecting your site.

### Acceptable:

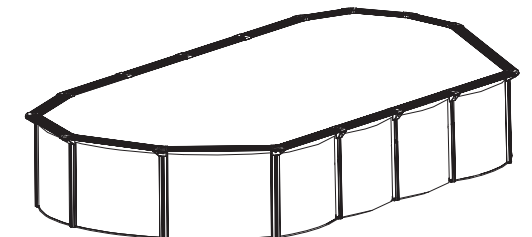
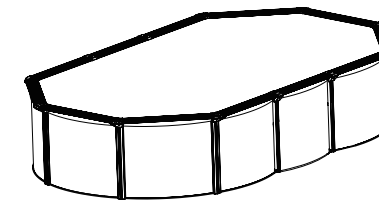
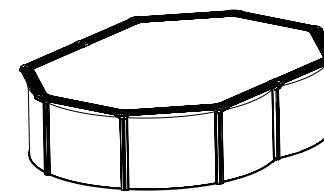
Flat, level, firm and dry ground with easy access to all sides of the pool exposed to direct sunlight, preferably in the morning. Safe access to electricity for running the filter pump and other pool accessories. Access to mains water source. Protection from wind.

### Tools Required:

- Phillips head screw driver.
- Small Shifter
- Clothes Pegs
- Spirit Level
- Sharp Knife
- Site excavation tools
- Protective Gloves

### Not acceptable:

- Sloping ground.
- Concrete, Asphalt, Sandy Gravel and Swampy ground.
- Close to wooden construction e.g. Pergola's and decking.
- Next to deciduous or leafy trees.
- Over-head wires and clothes line.
- Drains, electric wires or gas pipelines underneath the site.
- Poor or little drainage or high flood risk locations.
- High wind conditions.

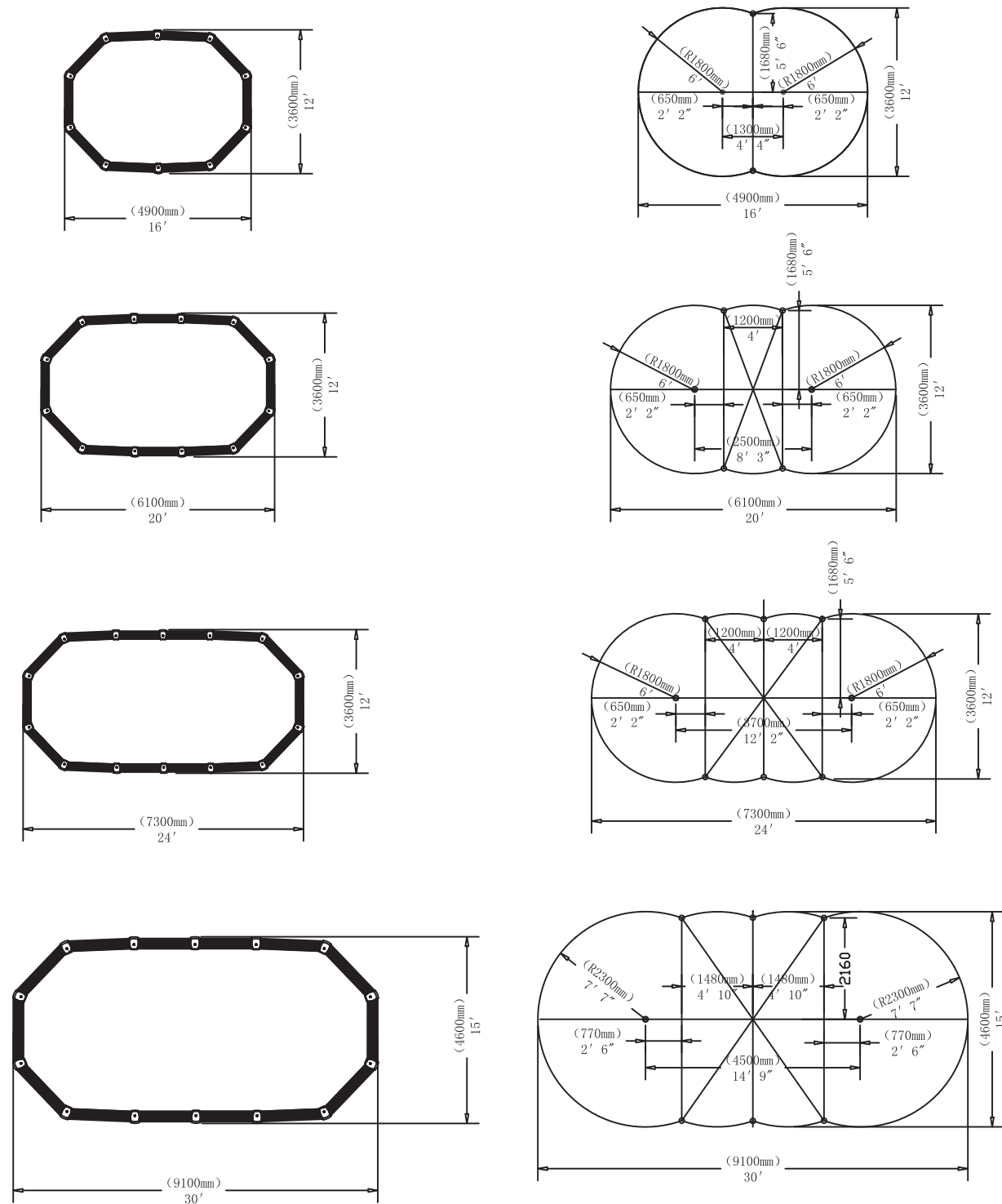


# Pool Setup

## Ground Preparation

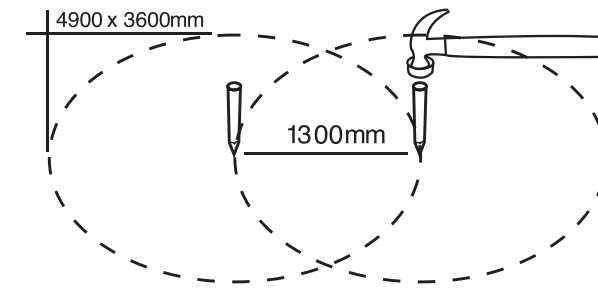
The preparation of the ground is the most important step in the installation of the pool.

(Diagram 1)

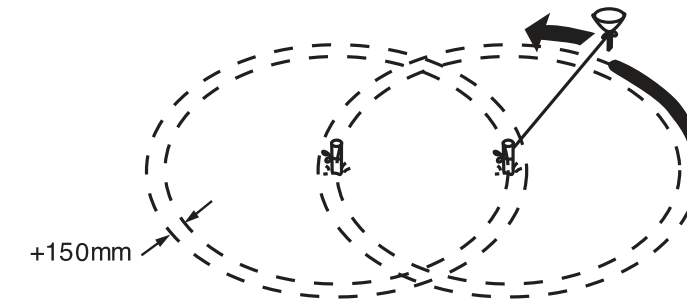


## MARKING THE SITE

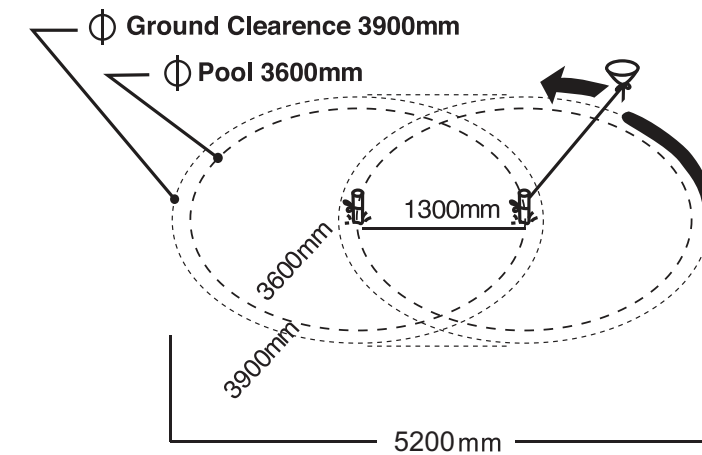
1. Mark the centre of the site and drive a stake or screw driver into the soil. (See diagram 2)
2. Tie a piece of string onto the stick. At the other end of the string, tie a funnel. The distance between the stick and the funnel should be 150mm more than the radius of the pool (See diagram 3)
3. Place flour, chalk dust or lime into the funnel and draw a circle around the stake. If the smallest diameter is 3600mm, then the 2 circles should be 3900mm in diameter. (See diagram 4)



(Diagram 2)



(Diagram 3)



(Diagram 4)

## Levelling the Area

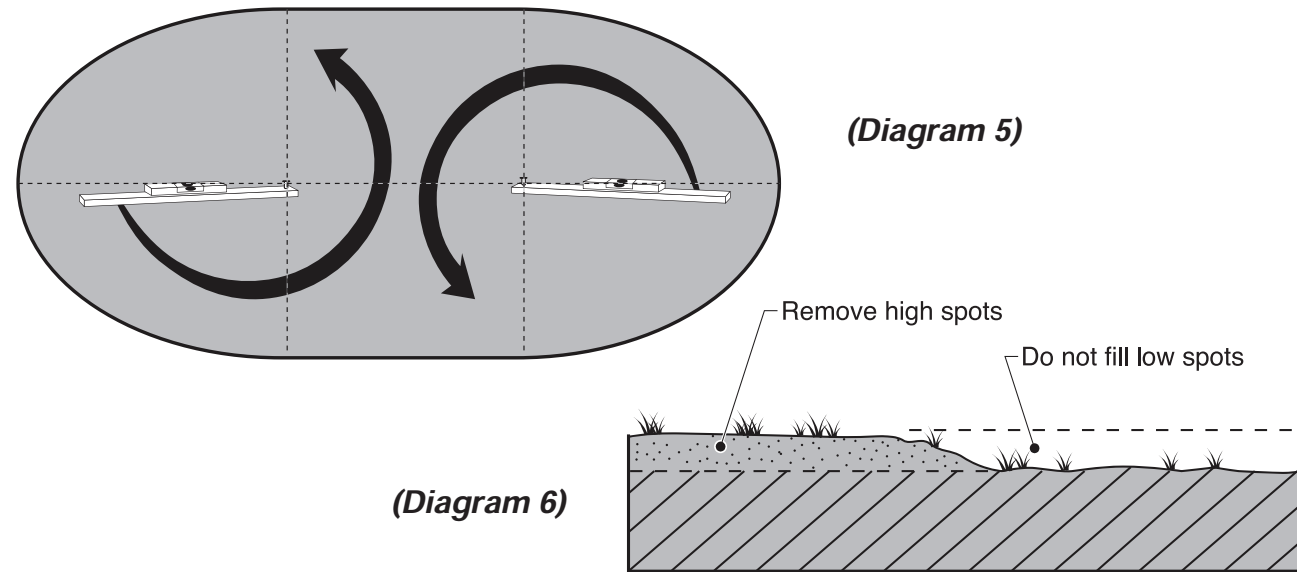
**Warning! Levelling is extremely important:** take as much time as possible to work out a site that is completely firm and levelled.

Use a carpenter's level and straight edge to ensure that the site is completely level, flat and firm! (See diagram 5) The pool contains a huge amount of water and thousands of kilos of weight. Should the pool collapse due to unlevelled ground, it could cause a lot of damage to property and even human injury or death!

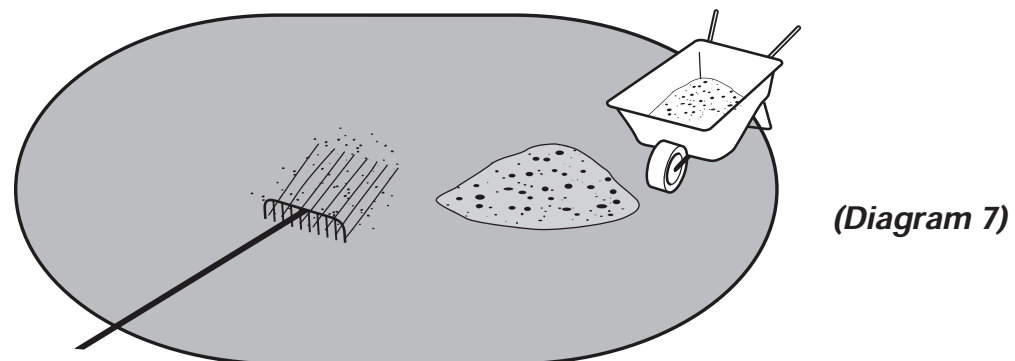
Remove the higher ground rather than filling the low laying ground (See diagram 6)

Attention! Always remove grass and stones within the circle.

Use ground sheet to ensure that the grass doesn't penetrate the pool liner and cause damage.



Spread a light layer of fine brick layers sand over the foundation area. Level this layer evenly. (See diagram 7)



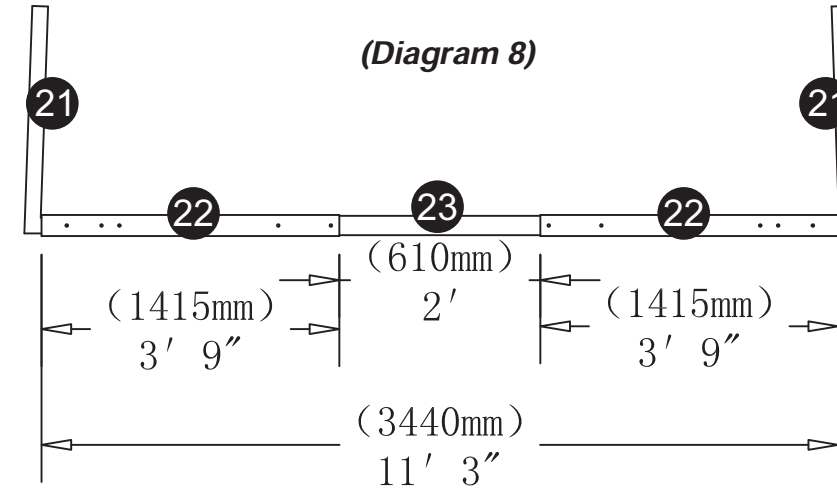
Once the site has been cleared and levelled, it is time to start assembling the Frame Assembly.

## POOL FRAME ASSEMBLY

Unpack all of the components and check the parts against the checklist.

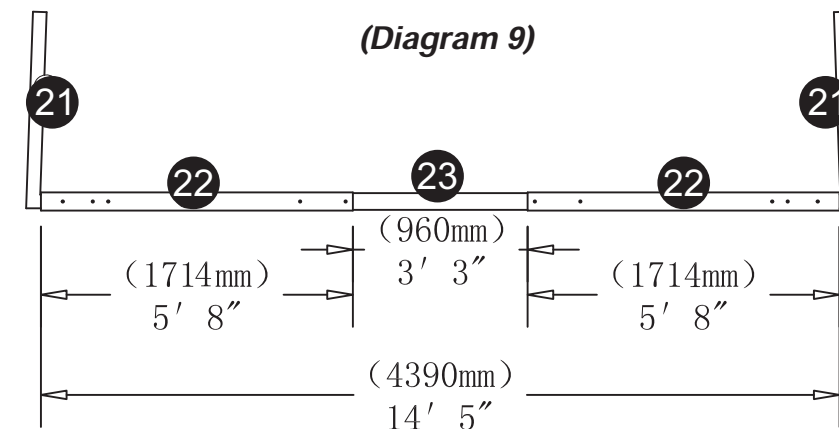
See diagram 8, the same L Support (21), Fixing Plate (22) and Connection Plate (23) are used for below items

Item No.	Pool Dimension (metric)	Item No.	Pool Dimension (imperial)
PSP493612B	L4900xW3600xH1200mm	PSP161248	L16'xW12'xH48"
PSP613612B	L6100xW3600xH1200mm	PSP201248	L20'xW12'xH48"
PSP733612B	L7300xW3600xH1200mm	PSP241248	L24'xW12'xH48"
PSP493613B	L4900xW3600xH1300mm	PSP161252	L16'xW12'xH52"
PSP613613B	L6100xW3600xH1300mm	PSP201252	L20'xW12'xH52"
PSP733613B	L7300xW3600xH1300mm	PSP241252	L24'xW12'xH52"



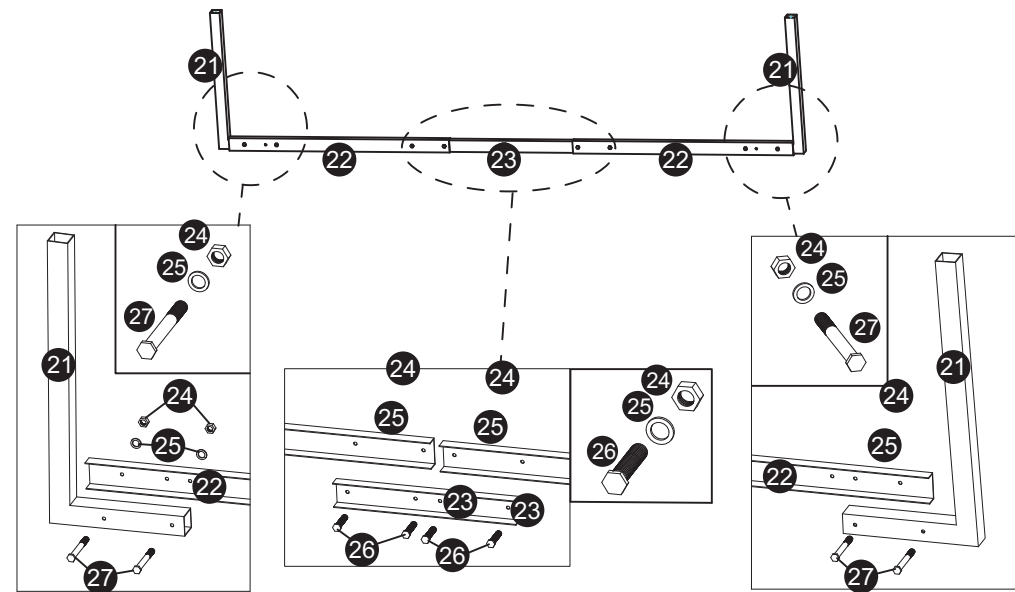
See diagram 9, the same L Support (21), Fixing Plate (22) and Connection Plate (23) are used for below items

Item No.	Pool Dimension (metric)	Item No.	Pool Dimension (imperial)
PSP914612B	L9100xW4600xH1200mm	PSP301548	L30'xW15'xH48"
PSP914613B	L9100xW4600xH1300mm	PSP301552	L30'xW15'xH52"



Connect the L Support (21), Fixing Plate (22) and Connection Plate (23) as shown in diagram 8-10, using the Nut (24), Washer (25) and Bolt (27) provided in the screw bag.

(Diagram 10)



Once the frames have been correctly assembled and all of the nuts and bolts have been tightened. It's time to position the assembled frames onto the pool site.

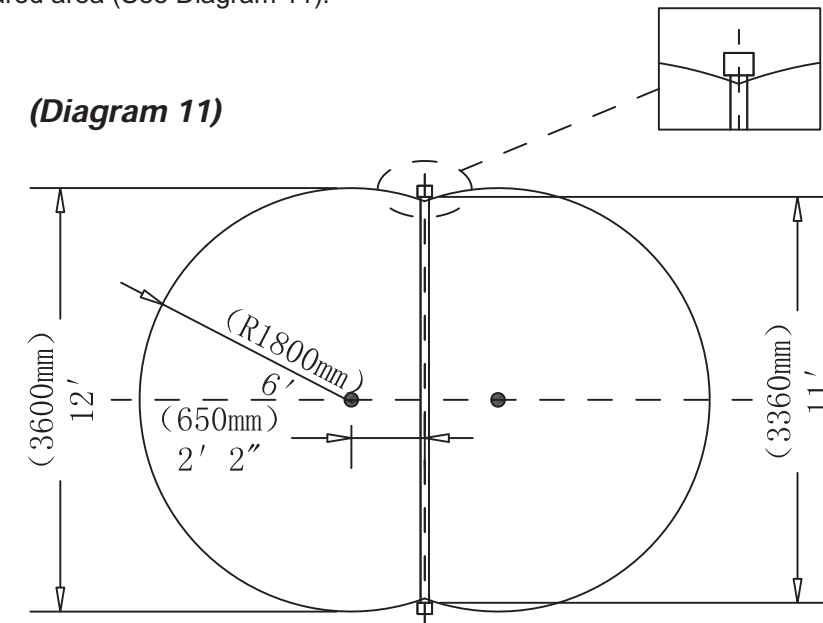
Please refer to the layout size of pool you have purchased.

Item No. PSP493612 - PSP161248

Item No. PSP493613 - PSP161252

Place the assembled frame upright across the width of the pool at a point 2450mm (8') from the end of the cleared area (See Diagram 11).

(Diagram 11)



Item No. PSP613612 - PSP201248

Item No. PSP613613 - PSP201252

Item No. PSP733612 - PSP241248

Item No. PSP733613 - PSP241252

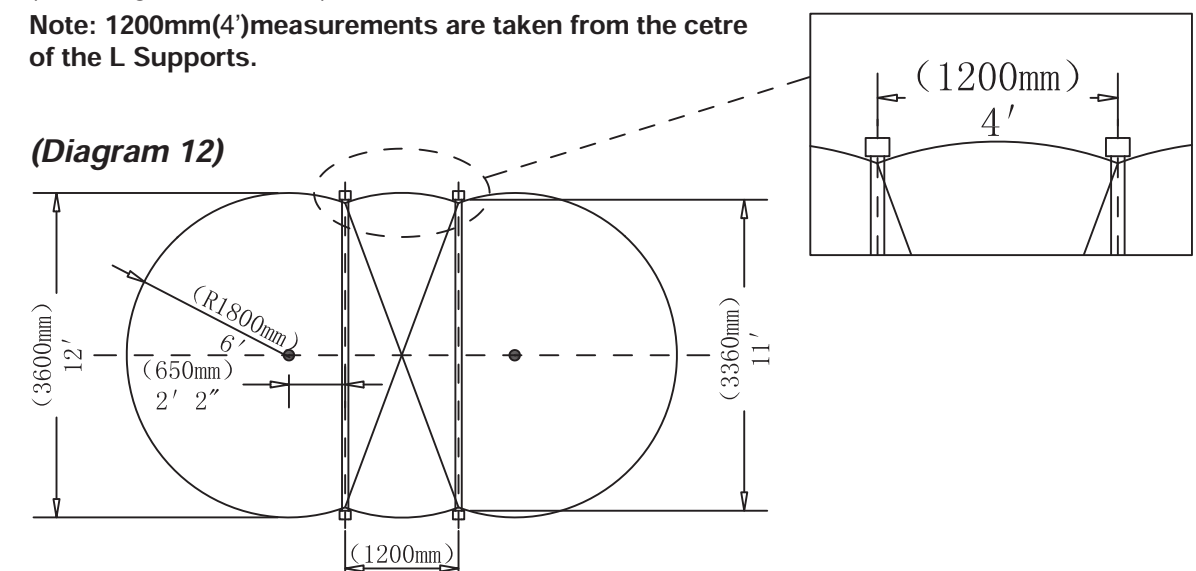
Place the 1st assembled frame upright across the width of the pool at a point 2450mm (8') from the end of the cleared area.

Place the 2nd and the remaining assembled frames at a point 1200mm (4') from the centre line of the adjacent assembled frame.

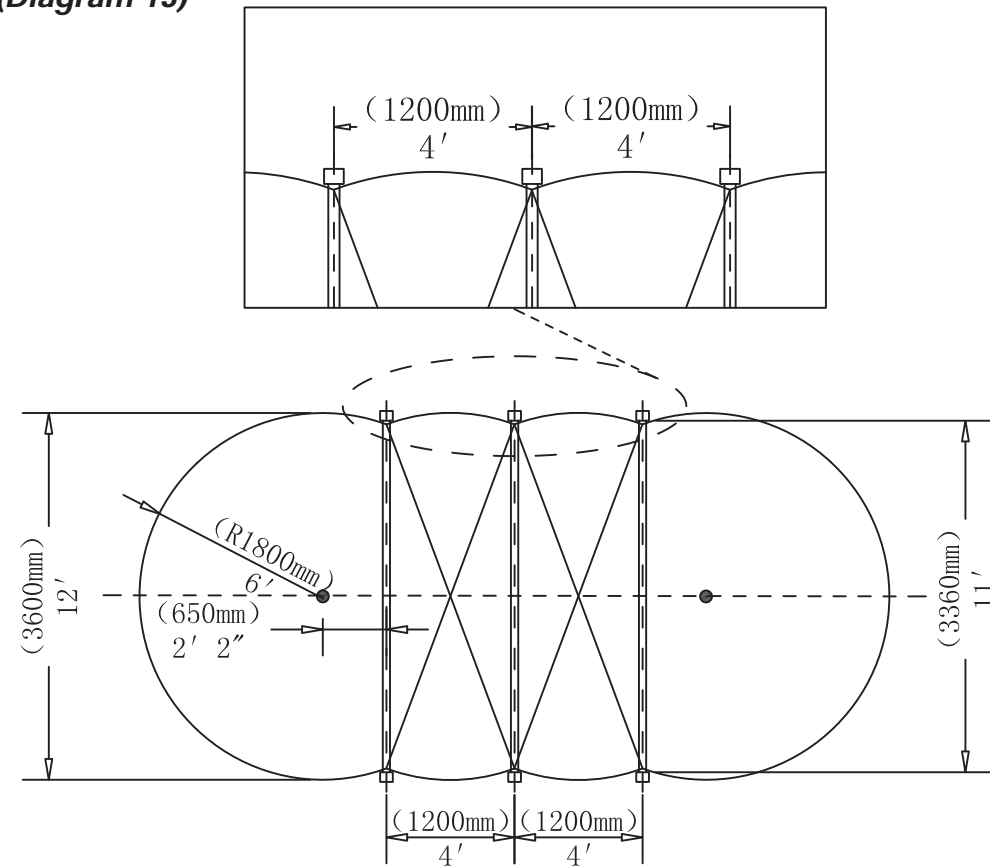
(See Diagram 12 and 13)

**Note:** 1200mm(4') measurements are taken from the centre of the L Supports.

(Diagram 12)



(Diagram 13)



Item No. PSP914612 - PSP301548

Item No. PSP914613 - PSP301552

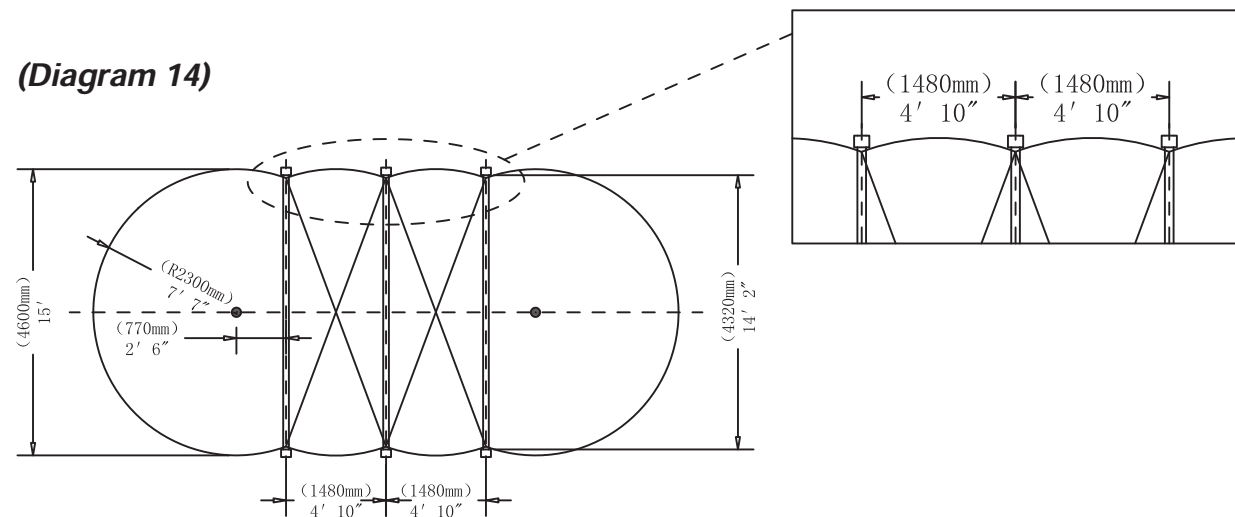
Place the 1st assembled frame upright across the width of the pool at a point 3070mm (10') from the end of the cleared area.

Place the 2nd and the remaining assembled frames at a point 1480mm (4'10") from the centre line of the adjacent assembled frame.

(See Diagram 14)

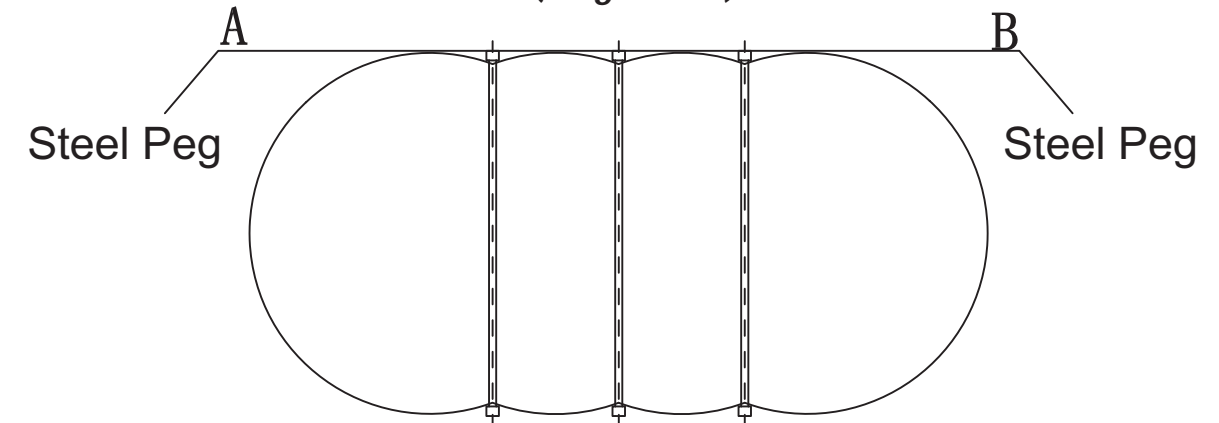
**Note:** 1480mm(4'10") measurements are taken from the centre of the L Supports.

(Diagram 14)



To check the alignment of the assembled frames, position string line along the back of the assembled frames ( the back of the L Support) about 200mm (7-8 inches) above the ground between two steel pegs, position A and B as shown in diagram 15. If the L Supports are not correctly aligned, they need to be tapped back or forward until the back of each L Support is correctly aligned with the string line.

(Diagram 15)

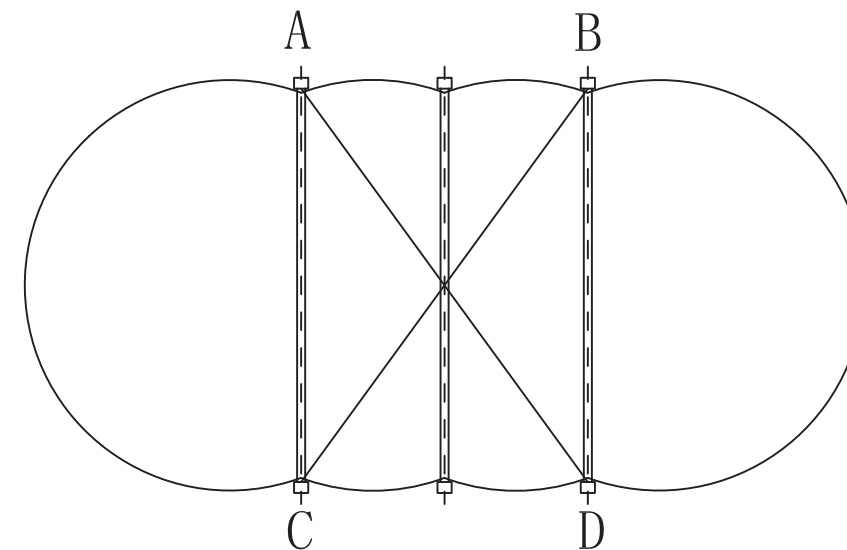


Once the steps have been completed you need to check the diagonal measurements of the pool frame. Measure the two intersecting axis to ensure that the two straight sections are parallel.

The measurements of the points A to D and B to C must be equal.

See diagram 16

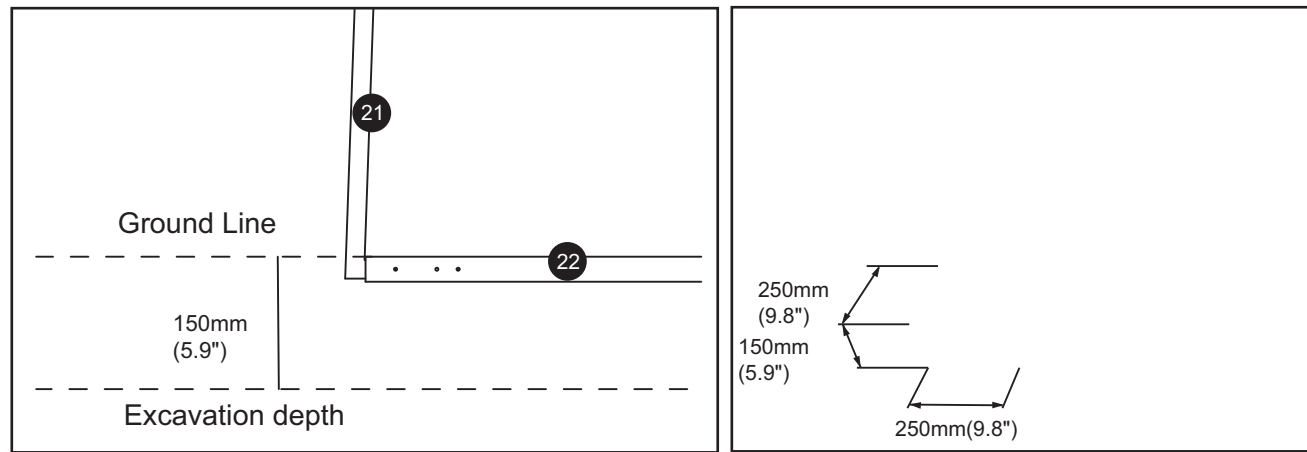
(Diagram 16)



When all the assembled frames are in the correct position, spray paint a line on either side of each assembled frame across the pool. This is to mark out the areas to be excavated. When these areas have been marked out, the assembled frames can be removed from the site.

The marked areas should be excavated to a depth of 150 x 150mm (5.9"x5.9") wide across the pool from one side to the other with a Length 250mm (9.8")x Width 250mm(9.8") x Depth 150mm(5.9") excavation at each end for the positioning of the pre-cast concrete blocks.





**NOTE:**

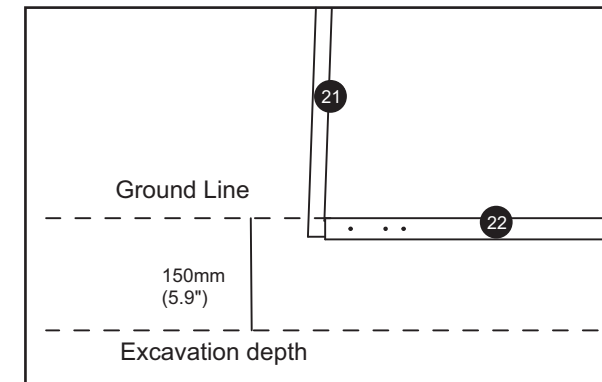
- If using cement mix instead of concrete blocks, the cement mix is put in place after the assembled frames have been positioned and leveled.
- **CONCRETE PADS:** The use of concrete blocks or concrete mix at each end of the assembled frame is critical as it distributes the load carried by the frames evenly into the soil below. Not using concrete pads will result in the frame sinking into the ground and disturbing the level of your pool.
- **DO NOT USE HOUSE BRICKS OR BESSER BLOCKS.**
- Backfill all excavated area with 8 to 1 sand and cement mix.
- Top of the horizontal section of L Supports and ground should be level.

**NOTE: If using cement mix instead of concrete blocks, the cement mix is put in place after the assembled frames have been positioned and leveled.**

**INSTALLING ASSEMBLED FRAMES**

The assembled frames can now be positioned back in to the excavated areas. Using the existing string line, ensure the L Supports side of the pool are perfectly aligned, if not, make the necessary adjustments. Care must be taken to ensure the measure between the centres. It is advisable to hold the posts into position using steel pegs. Frames installed in such a way that no horizontal part of the L Support is situated higher than the surrounding ground level.

**THE LEVELLING OF THE ASSEMBLED FRAME IS AN IMPORTANT EXERCISE THAT MUST BE DONE PRECISELY AND REPEATEDLY UNTIL CORRECT.**



When all the assembled frames have been positioned and levelled you need to recheck and ensure that the back of the L Supports are all in line and the diagonal measurements of the assembled frames are all correct and equal.

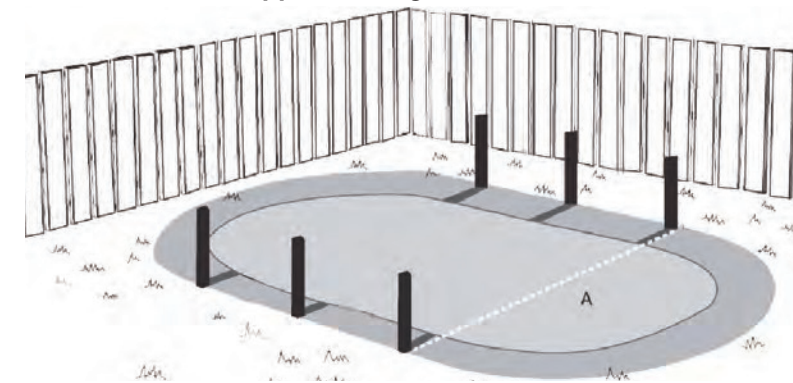
Before proceeding check the measurements for the width of the pool between the inside of the assembled frames should be as per table below. The width measurements A can have a variance of + or – 5mm.

If all of the measurements and levels are correct you can now proceed with the backfill of the channels across the pool and cement mix at the end of the channels.

When positioning the L Supports for your pool, it is important that the Supports are supported and retained in a perpendicular position while the excavation is being packed.

A simple and effective way to achieve this is to drive a star picket into the ground at the rear of the L Support, then temporarily attach the L Support to the star picket with some duct tape. This will hold the post vertical while the cement and backfill is put into place.

**NOTE: Top of the horizontal L Supports and ground should be level.**

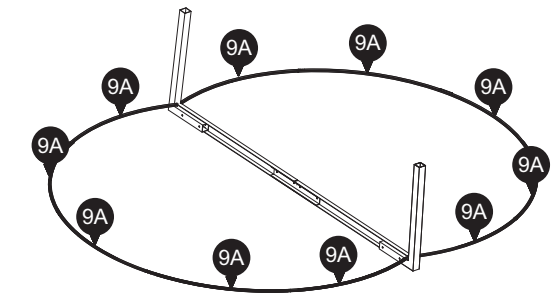


Model Size	PSP493612 PSP161248	PSP613612 PSP201248	PSP733612 PSP241248	PSP914612 PSP301548	PSP493613 PSP161252	PSP613613 PSP201252	PSP733613 PSP241252	PSP914613 PSP301552
Distance A	3440mm 11'3"	3440mm 11'3"	3440mm 11'3"	4390mm 14'5"	3440mm 11'3"	3440mm 11'3"	3440mm 11'3"	4390mm 14'5"

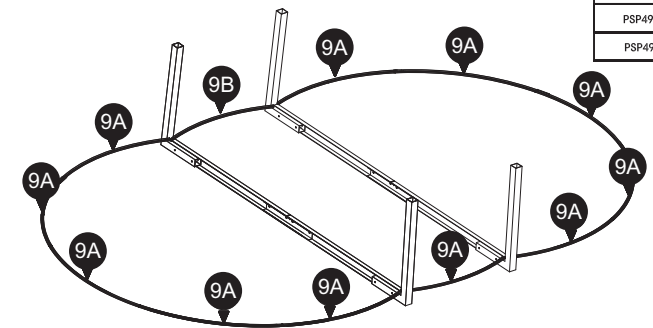


### ASSEMBLING THE POOL BASE RAILS

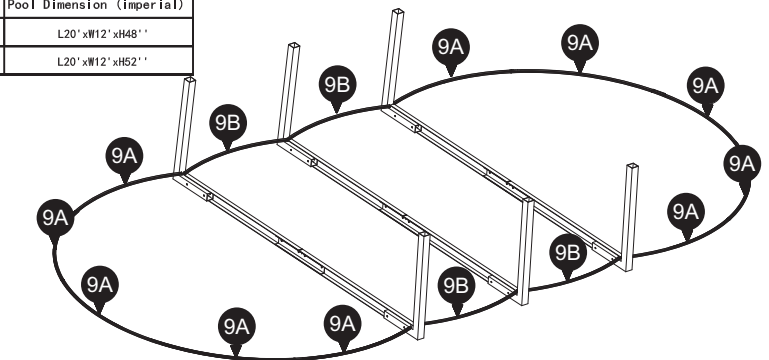
Unpack all of the components and check the parts against the checklist  
 1. Slide the Bottom Rail into the Metal Piece.  
 IMPORTANT: Leave about 1 cm (0.4") between the 2 ends of the Bottom Rail.  
 Repeat this process for all Bottom Rails.  
 (See diagram 17)



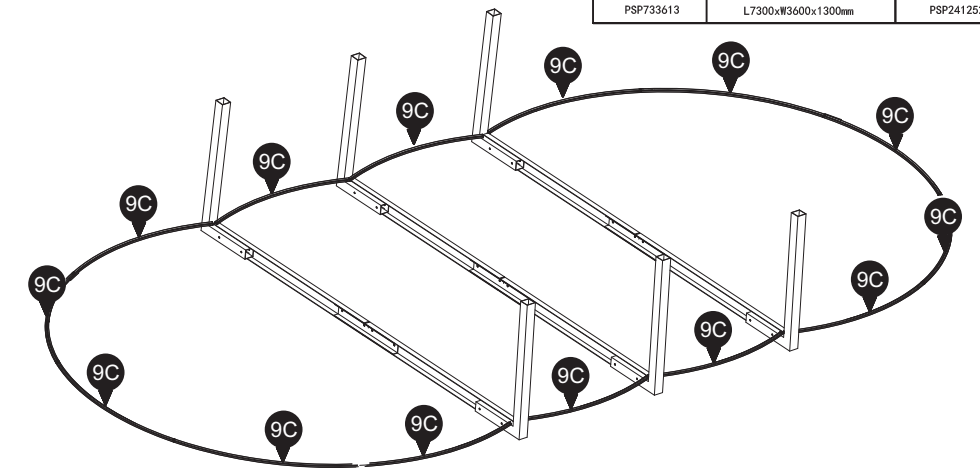
Item No:	Pool Dimension (metric)	Item No:	Pool Dimension (imperial)
PSP493612	L4900xW3600x1200mm	PSP161248	L16' xW12' xH48''
PSP493613	L4900xW3600x1300mm	PSP161252	L16' xW12' xH52''



Item No:	Pool Dimension (metric)	Item No:	Pool Dimension (imperial)
PSP613612	L6100xW3600x1200mm	PSP201248	L20' xW12' xH48''
PSP613613	L6100xW3600x1300mm	PSP201252	L20' xW12' xH52''



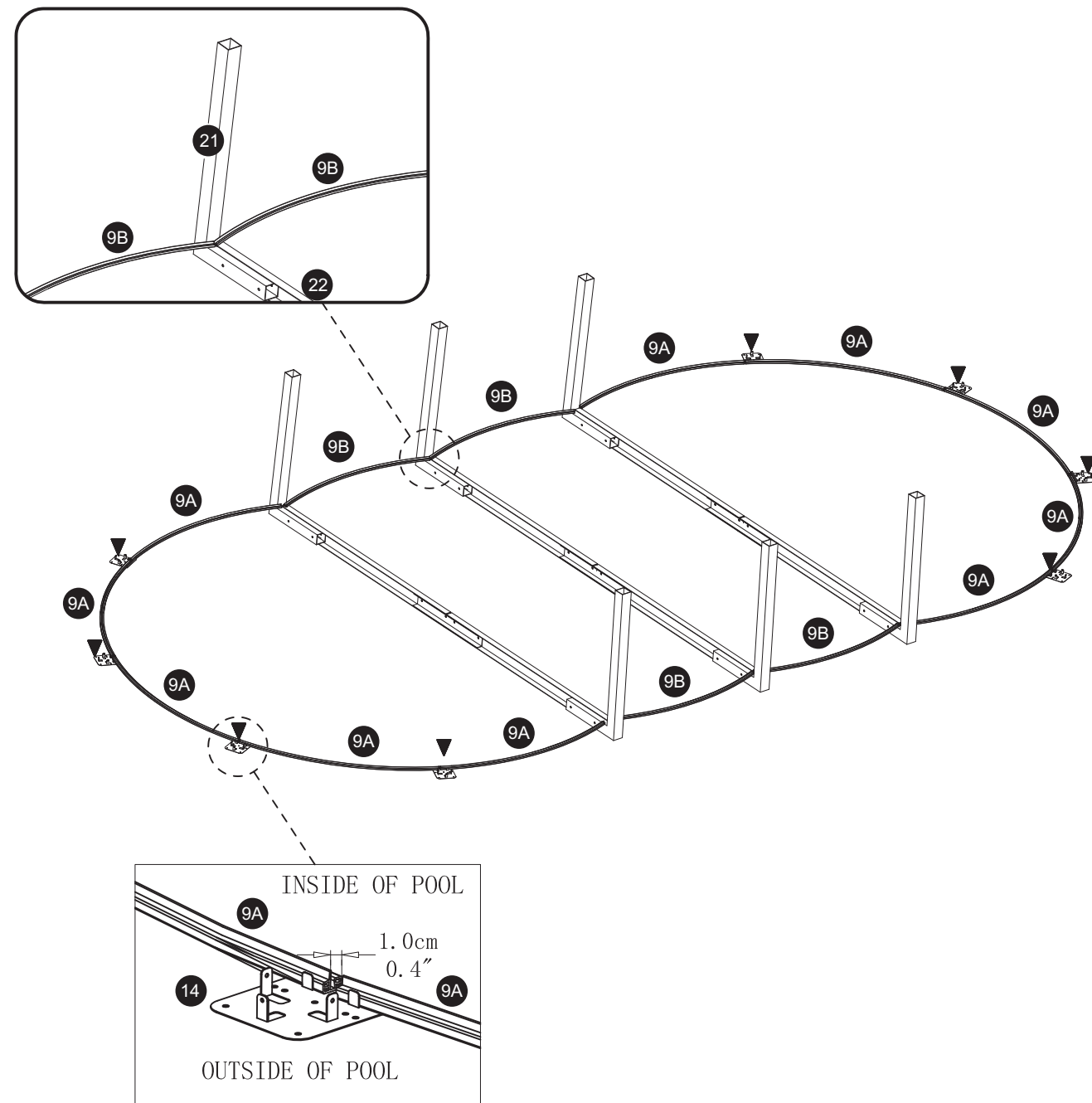
Item No:	Pool Dimension (metric)	Item No:	Pool Dimension (imperial)
PSP733612	L7300xW3600x1200mm	PSP241248	L24' xW12' xH48''
PSP733613	L7300xW3600x1300mm	PSP241252	L24' xW12' xH52''



Item No:	Pool Dimension (metric)	Item No:	Pool Dimension (imperial)
PSP914612	L9100xW4600x1200mm	PSP301548	L30' xW15' xH48''
PSP914613	L9100xW4600x1300mm	PSP301552	L30' xW15' xH52''

(Diagram 17)

(Diagram 18)



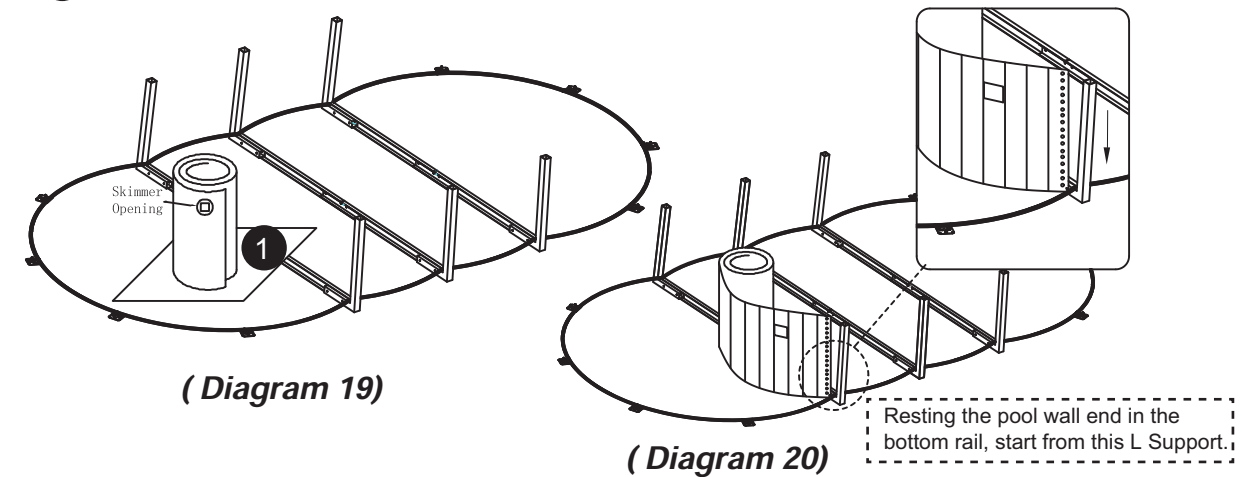
**Fine adjustment of the bottom rails diameter.**

When all the rails are slid into the Metal Pieces, it should form a complete circle and the diameter should be equivalent to the diameter of the pool itself. You can shorten or lengthen the gap distance between the 2 ends of Bottom Rails. (See diagram 18)

**FIXING THE POOL WALL**

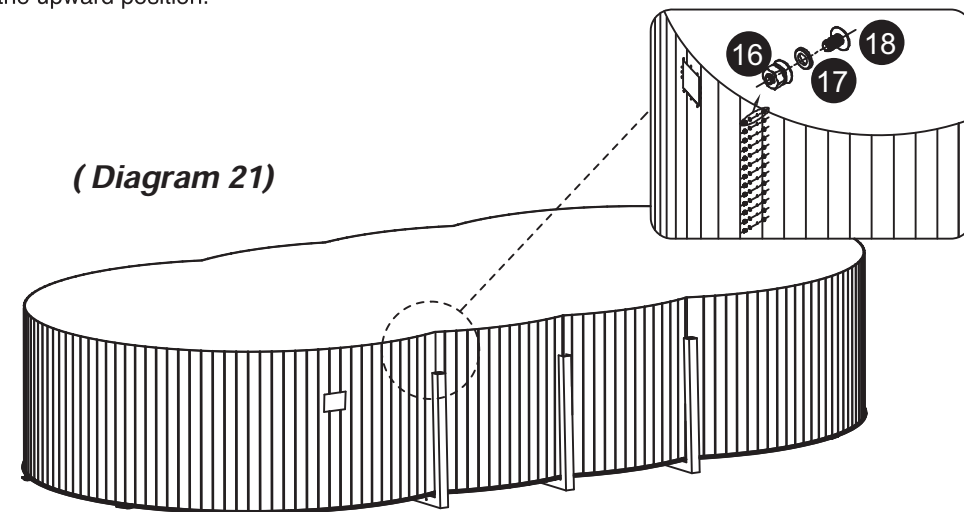
Put the pool wall on a ground cloth, cardboard or a piece of ply wood (See diagram 19). This is to protect the levelled ground while installation of pool wall is taking place. Make sure the square window (for skimmer) is on the upward side.

It is advisable to wear protective gloves when handling the metal wall.



You should decide where the skimmer and filtration system should be placed. The opening end of the pool wall closest to the square window should be placed on the closest metal piece to your selected location for the electric supply of the filtration system. The pool wall end should be resting in the bottom rail (See diagram 20). Make sure that this location is not in a windward position. Square window should be in the upward position.

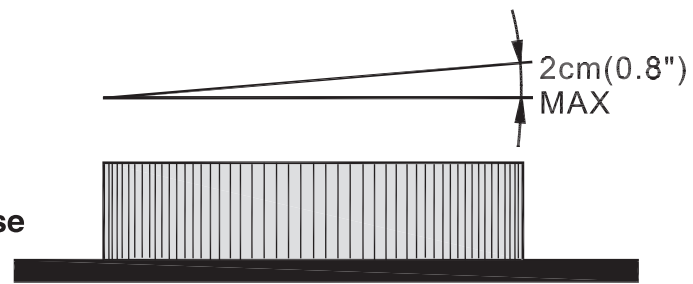
(Diagram 21)



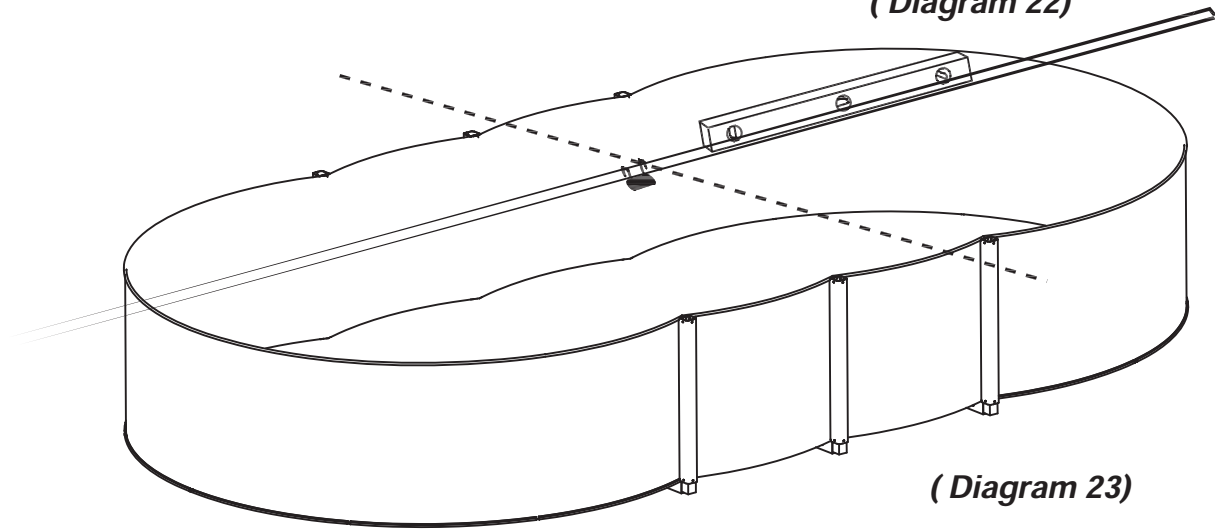
Then uncoil the whole pool wall onto the ground rail. Join the 2 ends of the pool wall together. Line up the screw holes. If you could not line up the holes, then adjust the gap distance of the 2 ends of Bottom Rails. (See diagram 21)

## Measuring the Pool Wall

**WARNING! A pool that is not level is very dangerous and may collapse at anytime.**



( Diagram 22)



( Diagram 23)

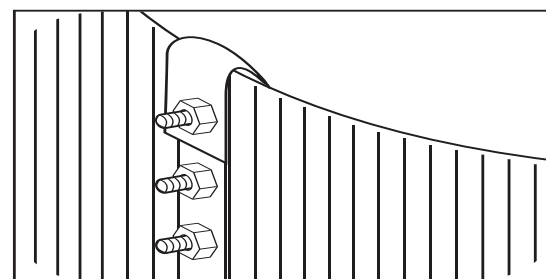
Check the pool wall level by placing a length of timber beam or similar across the diameter of the pool wall and placing the builders level on the top of the timber beam. (See diagram 22) If the deviation is more than 2 cm (0.8") (See diagram 23) then the ground site must be levelled again. Check also if the pool wall is oval and measure the diameter across a few spots to make sure the differences of each diameter measured are within 2cm (0.8").

If the levels are not to specification then the area will have to be leveled again.

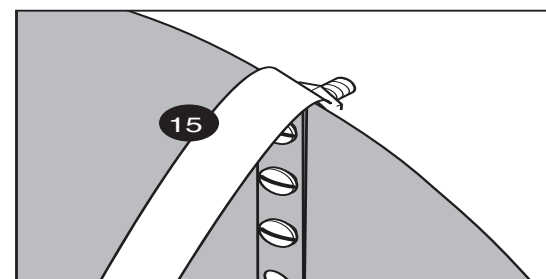
CAUTION! Try not to damage any of the components when disassembling the pool wall to correct the level of the ground.

Once the measurements and levels are correct and all nuts and bolts are tightened, then cover the exposed screw heads with the Self Adhesive Tape (See diagram 24 and 25)

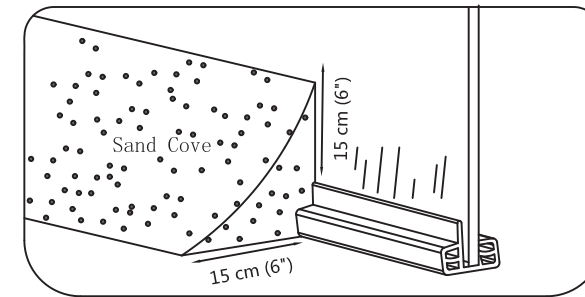
( Diagram 24)



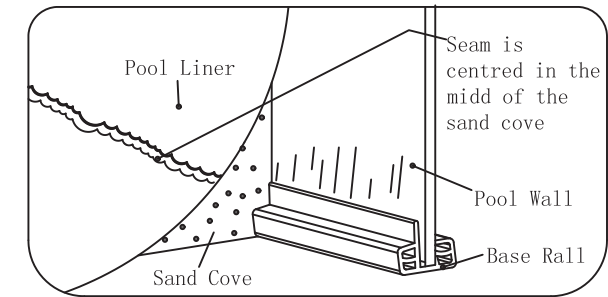
( Diagram 25)



## MAKING A PROTECTIVE SAND CUSHION AT THE FOOT OF THE INNER POOL WALL



( Diagram 26)



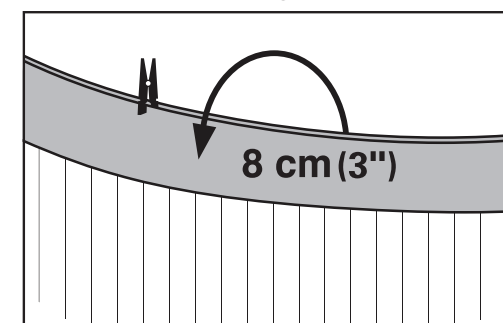
( Diagram 27)

To protect the liner against the rail and the pool wall, it is recommended to create a protective covering made of fine brick sand at the foot of the pool wall. (See diagram 26 and 27). The size should be 15cmH x 15cmW (6"H x 6" W) so that it completely seals the rail but doesn't distort the pool liner.

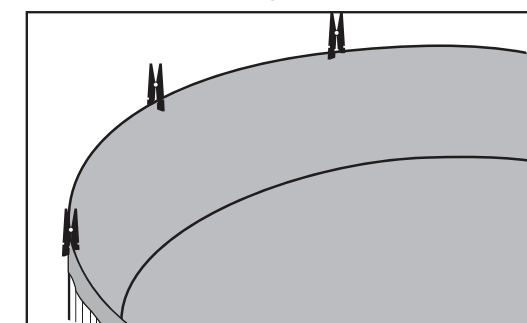
## FITTING THE PVC POOL LINER

Fit the PVC liner on a warm and sunny day, preferably above 22°C (72°F). Unfold the PVC liner and put it in the sun for 2 hours. This helps to soften the PVC. If the temperature is below 16°C (60°F), the PVC liner will be hard and rigid and quite difficult to handle. Put the liner at the centre of the pool site inside the pool wall. Extend it evenly until the seam line reaches the base of the pool where the protective sand cover is. Smooth out all the wrinkles in the liner. Straighten the PVC liner and hold it perpendicular to the ground. Drape the pool liner over the pool wall. There should be an overlap of 8cm (3") of the pool wall height (See diagram 28 and 29) Hold the overlap in place with clothes pegs.

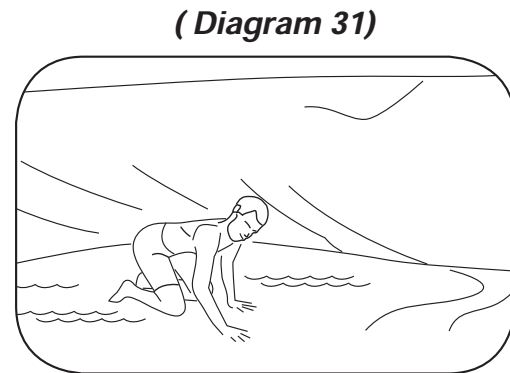
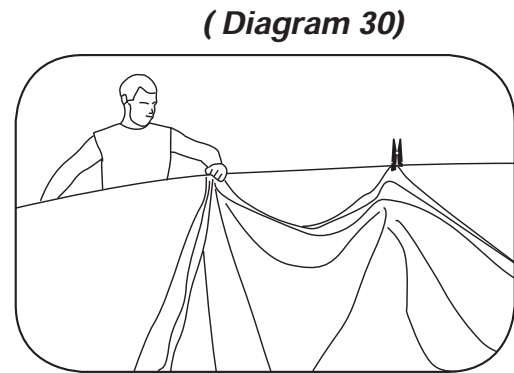
( Diagram 28)



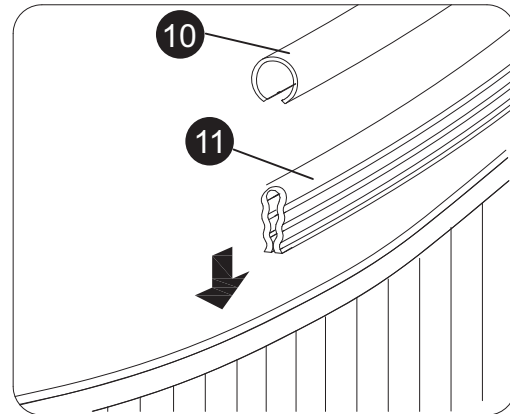
( Diagram 29)



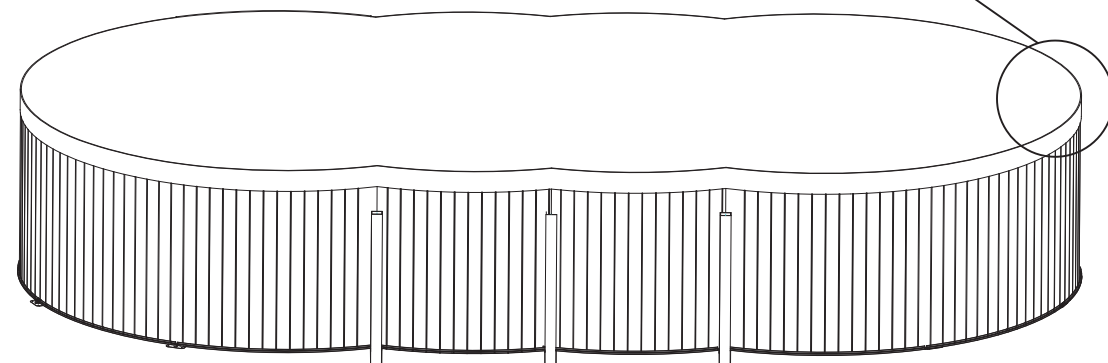
Check if the pool liner is placed evenly around the perimeter (See diagram 30). Evenly fold the excessive length of the PVC if you find it a bit loose. Check if the overlap is uniform. If the pool liner is slightly short, then you will have to let it down and vice versa. Fill the pool with 3 to 5cm (1"-2") height of water to smooth out the liner against the pool wall (See diagram 31). Check to see if water is level, if not, something is wrong and you will have to dismantle the liner and pool wall to access and level the ground area.



Remove the pegs one at a time whilst applying the Fix Rails (See diagram 32). Connect another Fix Rail, continue around the circle until all Fix Rails are all joined together. And finally apply the Round Rails to the Fix Rails.



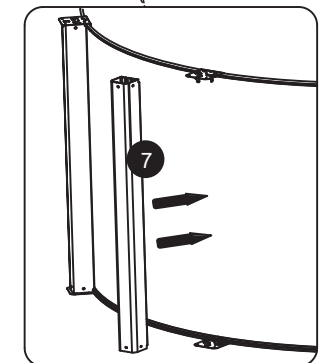
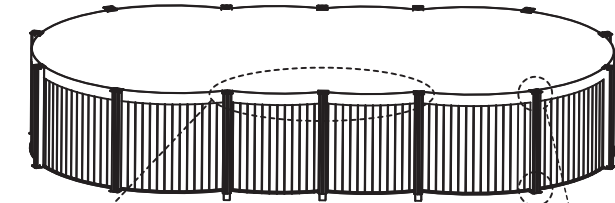
( Diagram 32)



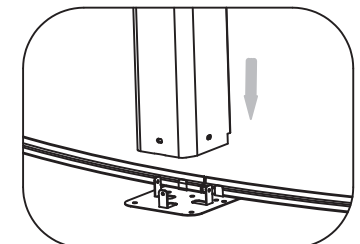
**Fix all top rails to the top of the pool wall and make sure they are all sitting properly .**

### ASSEMBLY OF THE RESIN VERTICAL SUPPORTS

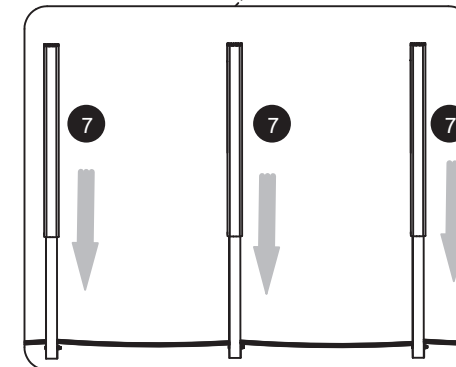
Line up all the screw holes for the resin vertical supports. The first resin vertical support should be placed over the join in the pool wall. Fix the resin vertical support onto the metal pieces. Line up the screw holes and check if the vertical sections are in line. Once all resin vertical supports are in place and straight, fix the resin vertical supports with screws provided.



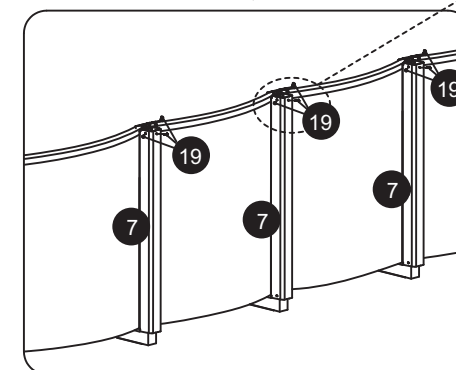
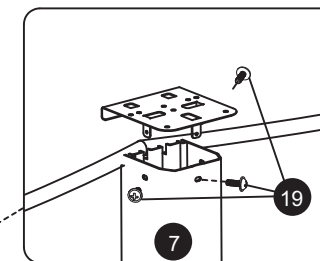
(Diagram 33)



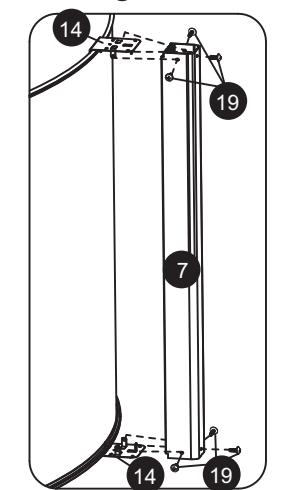
(Diagram 34)



Slide the Vertical Supports (7) over the L Supports (21)



Place a Top/Bottom Metal Piece (14) on the top end of the Vertical Support (7) so that each of the 3 tabs are inside the Vertical Support (7) and the Top/Bottom Metal Piece (14) sits flush on the end of the Vertical Support (7). Drive the bolts (19) into the sides and front of the Vertical Support (7) so that it passed through with the hole in the Top/Bottom Metal Piece (14) tabs. Repeat this process for the other two tabs in the Top/Bottom Metal Piece (14)

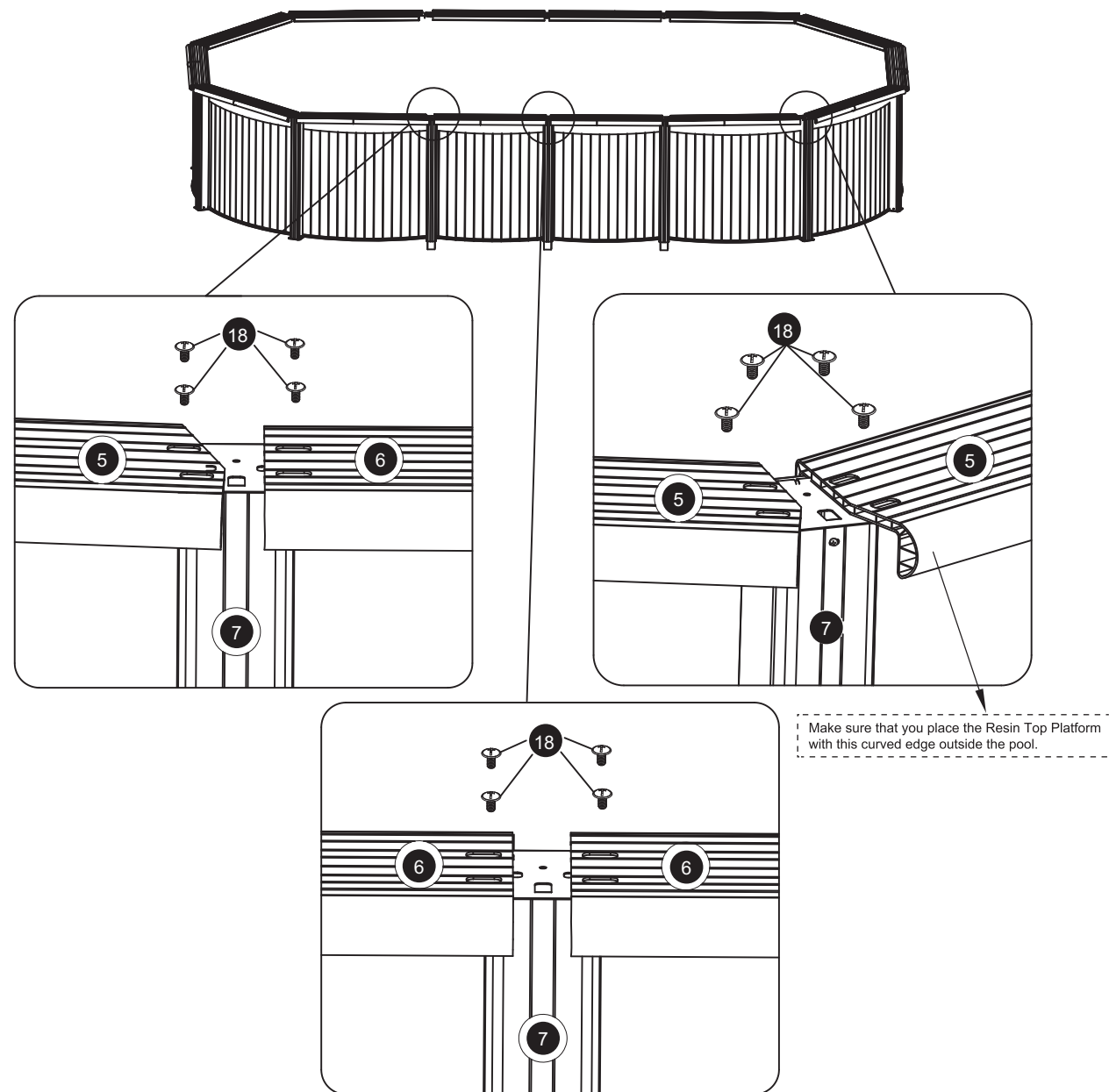


(Diagram 35)

Attach the rest Vertical Supports (7) to the Bottom Metal Pieces (14) where two Bottom Rails are placed. Make sure each of the 3 tabs are inside the Vertical Supports (7). Drive the bolts (19) into the sides and front of the Vertical Supports (7) so that it passed through with the hole in the Top/Bottom Metal Piece (14) tabs. Repeat this process for the other two tabs in the Top/Bottom Metal Piece (14) see diagram 33 and 34  
Hook the rest Top/Bottom Metal Pieces (14) on the top of the Vertical Supports (7), using the same procedure to fix Top/Bottom Metal Pieces (14) to the top end of the Vertical Supports (7) , see diagram 35.

Place a Resin Top Platform over a Top Metal Piece and attach using four Bolts, Continue this process until all of the Resin Top Platforms are attached to all of the Metal Pieces at the top. (See diagram 36)  
Check the alignment but do not tighten.

(Diagram 36)

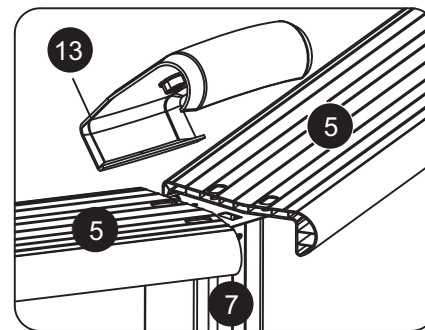


**Fix all Resin Top Platforms to the Metal Pieces at the top and make sure they are all sitting properly before finally tightening the screws**

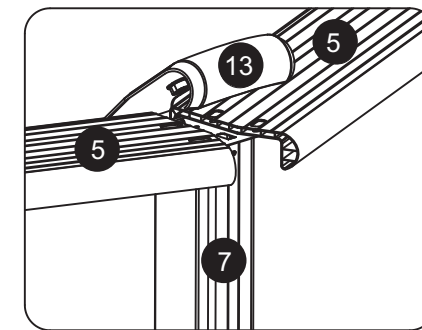
### ASSEMBLY OF THE JOINT PROTECTORS

The soft flexi joint covers are for sealing the edges of the Resin Top Platforms. Hook the cover over the inside edge of the Resin Top Platforms and gently pull to fasten the cover to the outside edge. Fix with the screws provided. (See diagram 37,38,39,40,41)

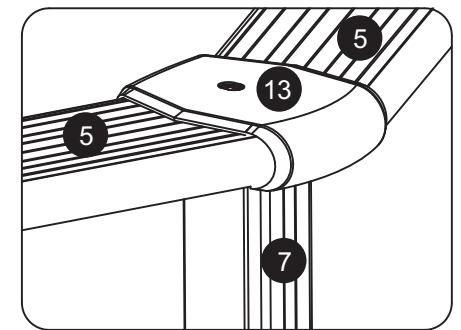
(Diagram 37)



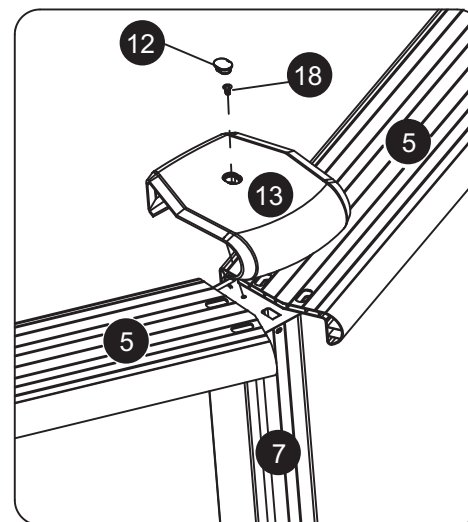
(Diagram 38)



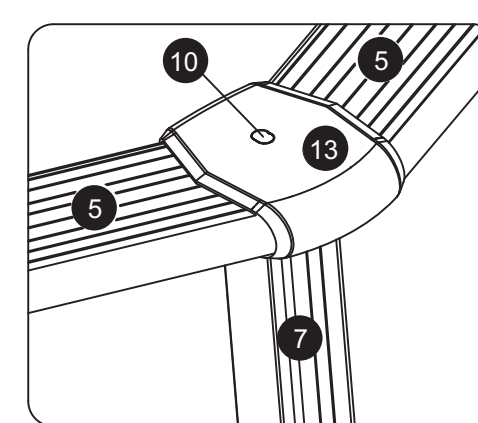
(Diagram 39)



(Diagram 40)



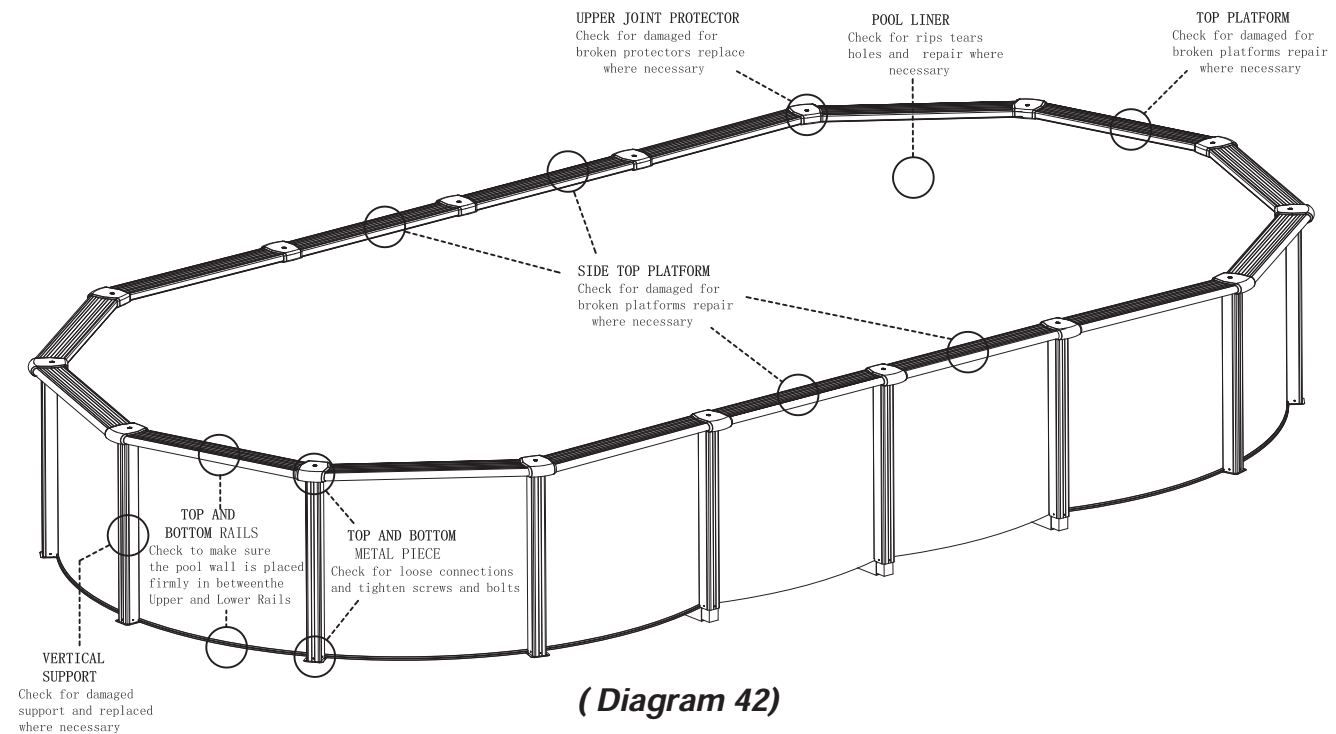
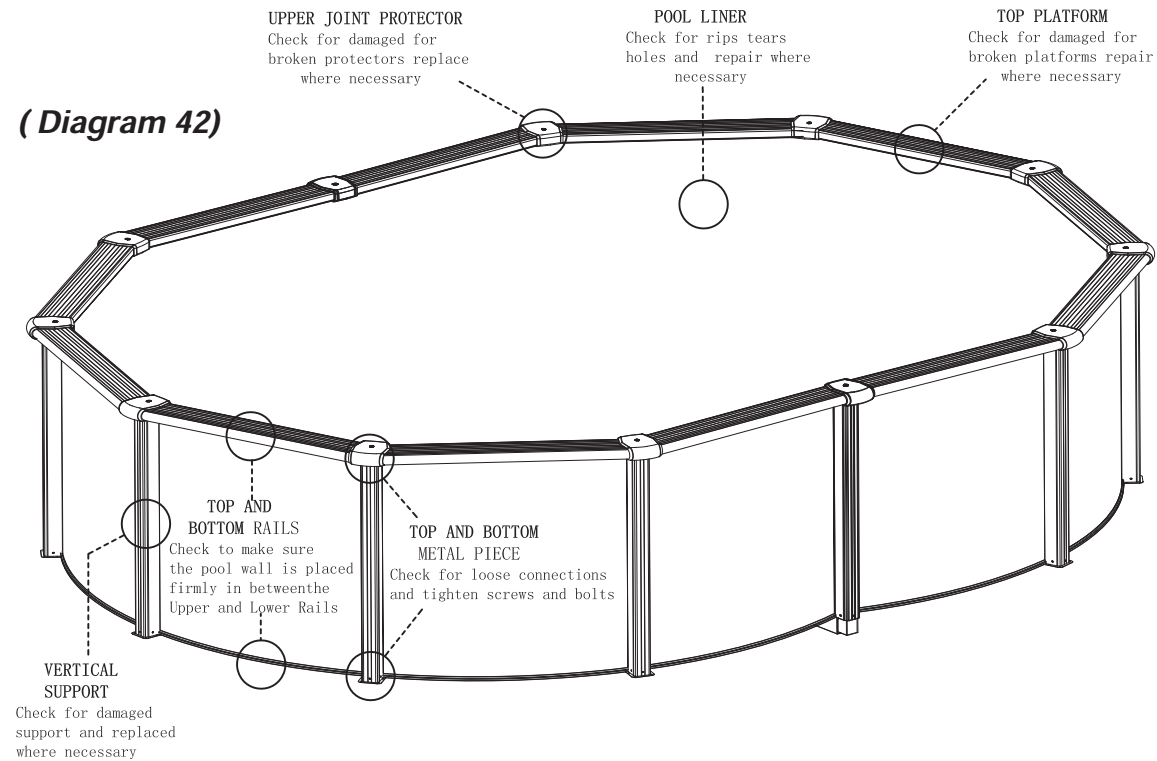
(Diagram 41)



## Check All Connections and Joins

Once completed, check all connections and tighten loose screws and bolts but do not over tighten. Replace damaged components and repair all tears, rips and holes with repair patch  
(See diagram 42)

(Diagram 42)



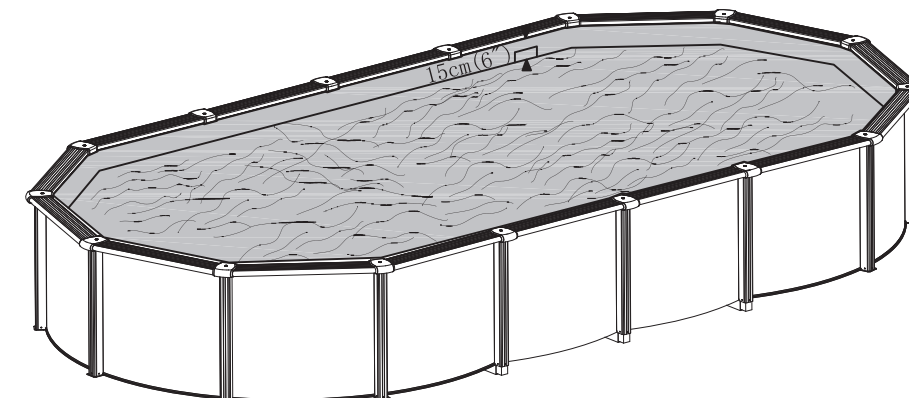
## Fixing The Leaf Skimmer

For antirusting, all edges of cut out have to be covered by vinyl tape or rusting paint. Begin the installation of the through the wall skimmer. Follow separate skimmer installations.

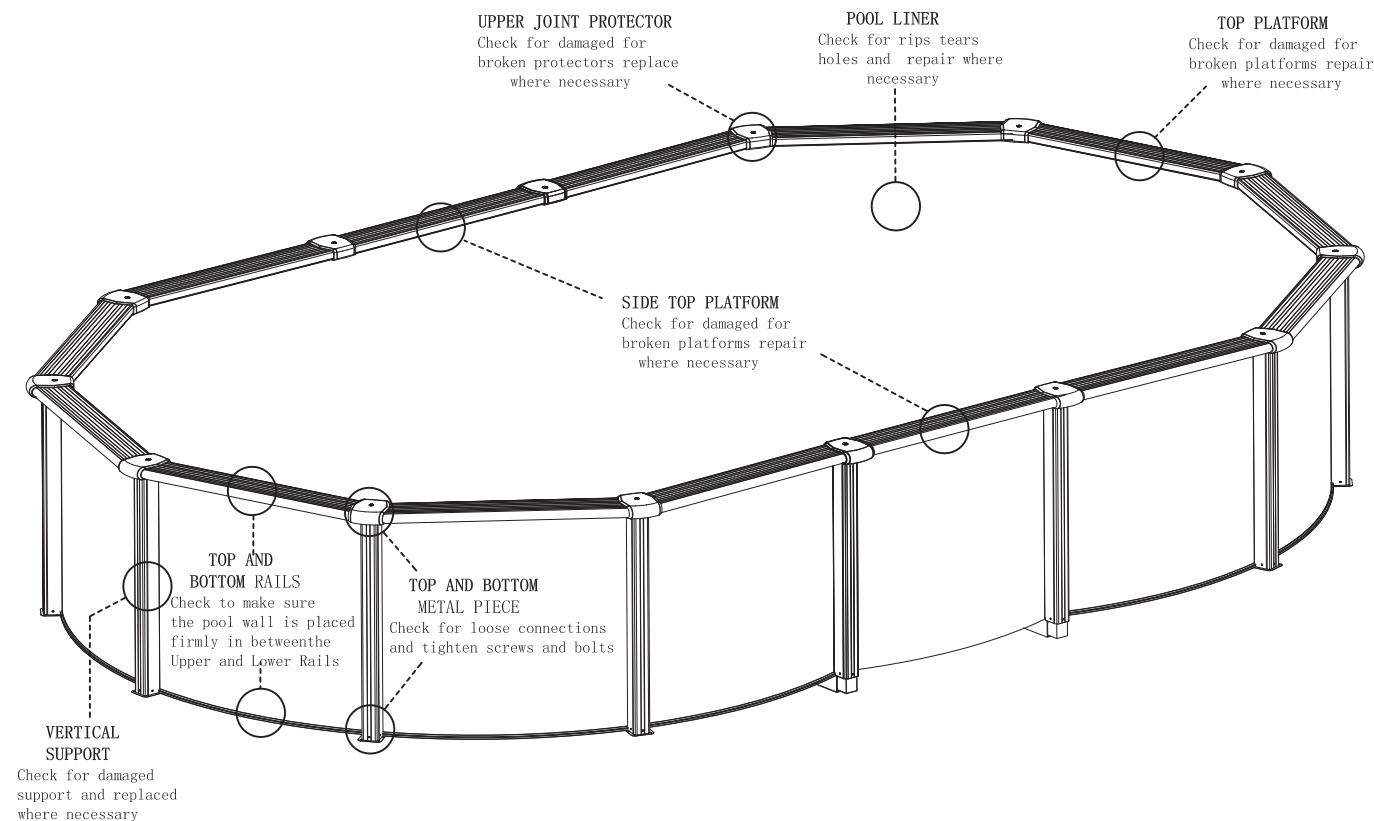
### FILLING THE POOL WITH WATER

Before you fill the pool with water, thoroughly check to see if there are any loose screws, holes or tears in the liner. Fill the pool until it is half way across the skimmer box opening or to the maximum water level or a minimum of 15cm (6") from the top of the pool wall (See diagram 43) to make sure water is entering the skimmer box opening. **WARNING!** To avoid collapse, never leave the pool without water in it.

(Diagram 43)



**Warning! The Filter Pump must be switched off if there are swimmers inside the pool!**  
Follow assembly instructions in the Sand Filter Pump Combo Manual.



## Pool Maintenance

1. Always keep your pool clean and apply the correct pool chemicals. Unsanitary water is a serious health hazard.
2. Maintain pool pH level between 7.2 to 7.6
3. Ask your dealers advice first if you want to modify your filtration system.
4. Clean the PVC liner regularly with non-abrasive brushes or venturi vacuum cleaner.
5. Turn your filtration system on at least one day before using the pool. Allow enough time to ensure the pool water is completely filtrated before use.
6. Make sure the water level is 15 cm (6") from the top.

### GENERAL WATER SAFETY

**SUPERVISE CHILDREN AT ALL TIMES AROUND WATER. ENSURE YOU HAVE A POOL FENCE THAT IS CORRECTLY INSTALLED AND FUNCTIONING.**

**LEARN CPR AND KEEP IN PRACTICE.**

Read this as often as you can before you use the pool with your children! Your children's safety depends on you! Accidents don't just happen to other people, they may happen to your children if they are not closely and constantly watched over. Prepare yourself mentally for any situation that may occur so you are able to offer adequate aid and assistance.

Child supervision should be close and constant.

Name only one safety supervisor.

Reinforce supervision when there are several users in the swimming pool.

Have personal flotation aids available (for people who cannot swim).

Teach your children to swim as early as possible.

Wet your neck, arms and legs before you enter the water.

Make sure you are trained in life-saving techniques, especially those for children.

Forbid young children from diving or jumping into the pool.

Forbid races and rough play in the pool.

Do not allow children who are unable to swim, to enter the pool without swim vest or armbands,

and without adult supervision. Flotation devices are not a substitute for adult supervision.

Do not leave toys near or in the pool with no supervision.

Always keep the water clear and sanitised.

Store the water treatment products away from childrens reach.

Always keep a telephone at or near the pool side so as to not leave children alone when you are on the phone.

Always keep pool buoy and pool pole at the pool side.

Keep the pool fence gate shut when the pool is not occupied.

Install and secure the pool cover when not in use.

If possible, use an electronic pool alarm that can detect someone falling into a pool.

**THERE IS NO REPLACEMENT FOR CLOSE ADULT SUPERVISION OF CHILDREN**